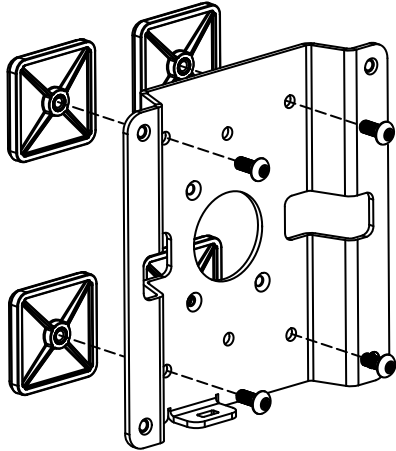


Assembly Instructions

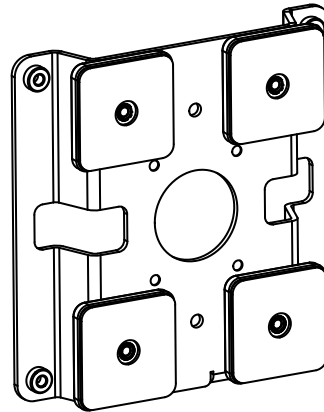
1

FIX ADHESIVE PADS TO BRACKET USING SCREWS PROVIDED



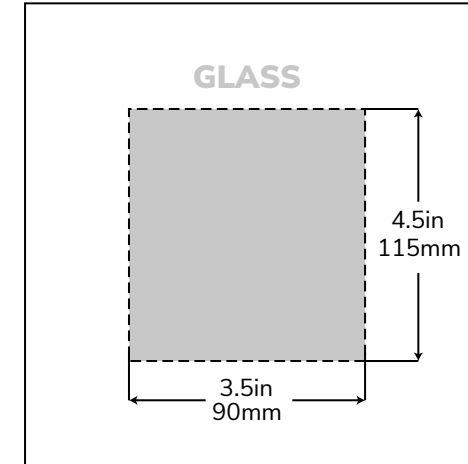
2

ALIGN STICKERS WITH BRACKET



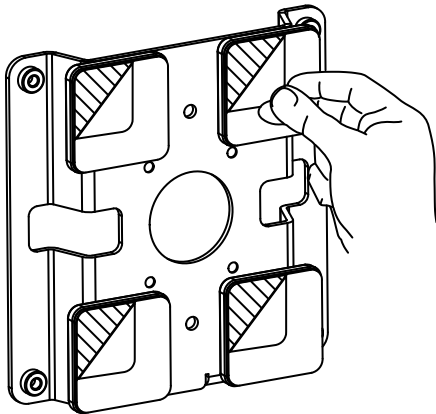
3

CLEAN MOUNTING AREA WITH ALCOHOL WIPES PROVIDED



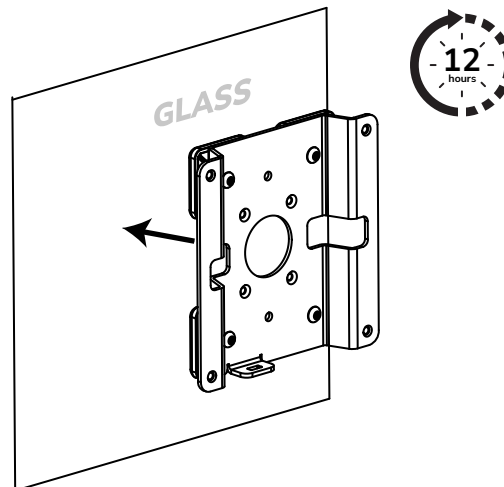
4

REMOVE STICKER COVERS



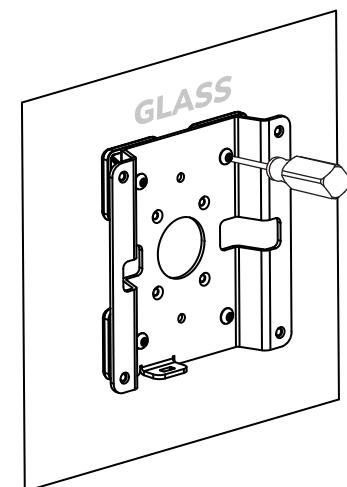
5

ACHIEVES FULL STRENGTH AFTER 12 HOURS



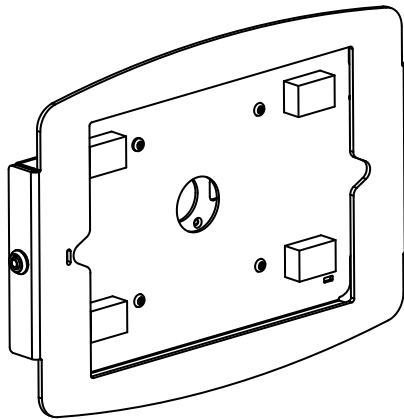
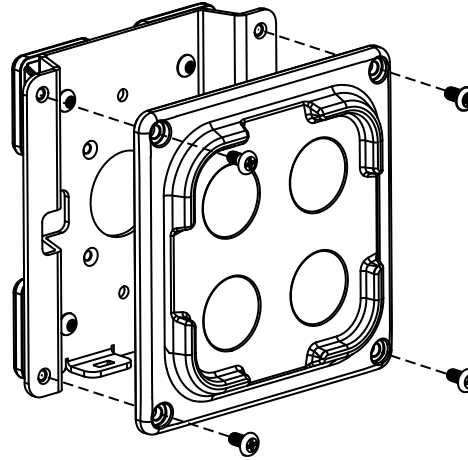
6

TIGHTEN SCREWS



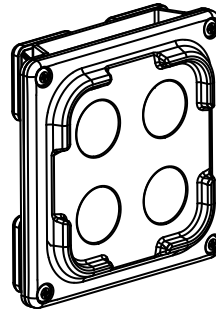
7

FIX TABLET/IPAD MOUNT (SOLD SEPARATELY) TO BRACKET WITH SCREWS PROVIDED



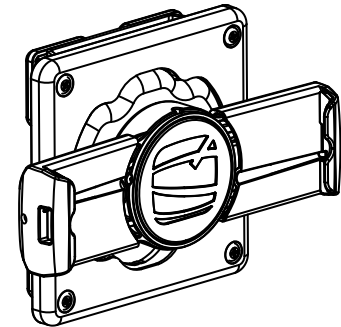
Space Enclosure

OR



Magnetix

OR

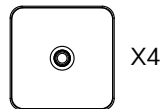


Cling

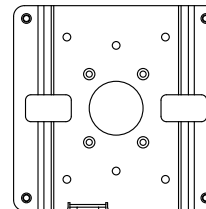
IN THE BOX



Screws



Stickers



Bracket



Alcohol Wipes

# Space

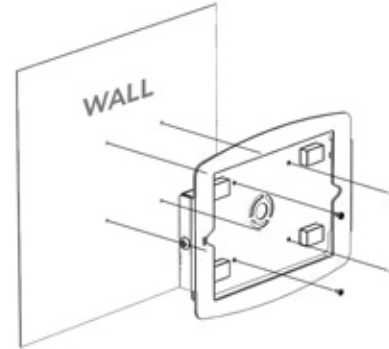
## Assembly Instructions

1

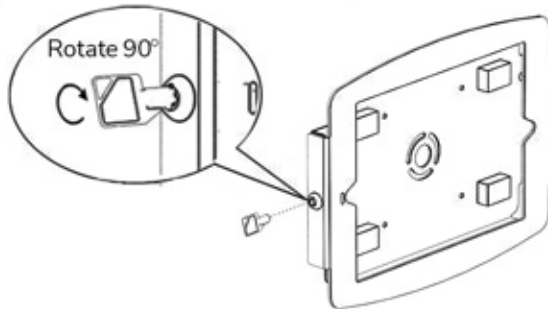


FOLLOW STAND  
MOUNTING INSTRUCTIONS

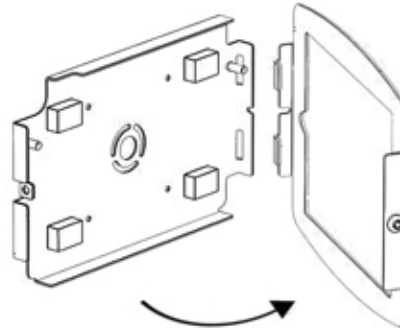
or



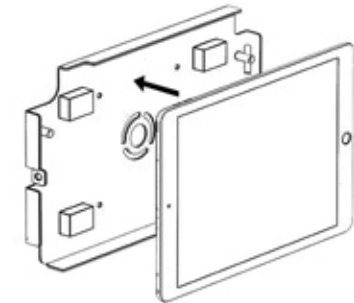
2



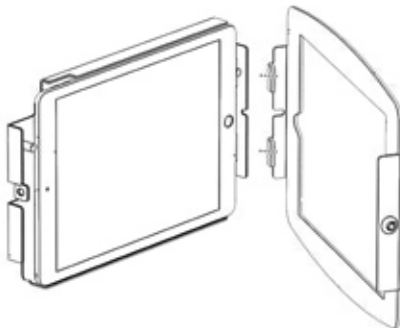
3



4



5



6



7

