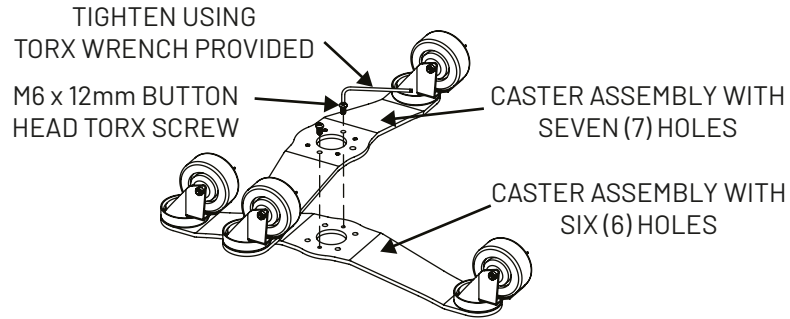
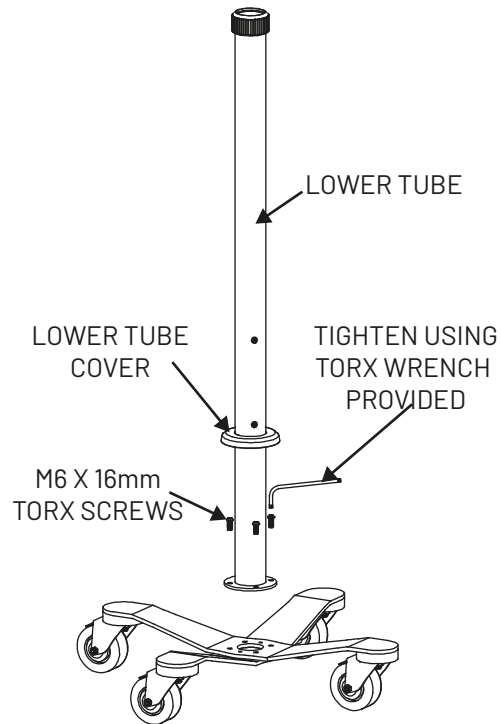


Assembly Instructions

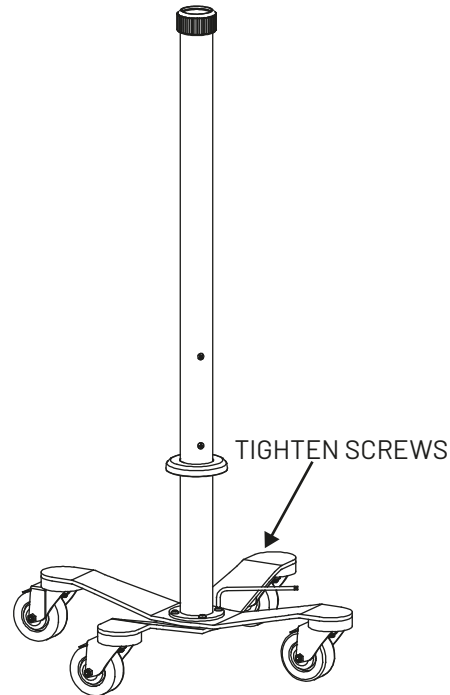
1 PLACE CASTER ASSEMBLY ON FLOOR WITH CASTERS FACING UPWARDS



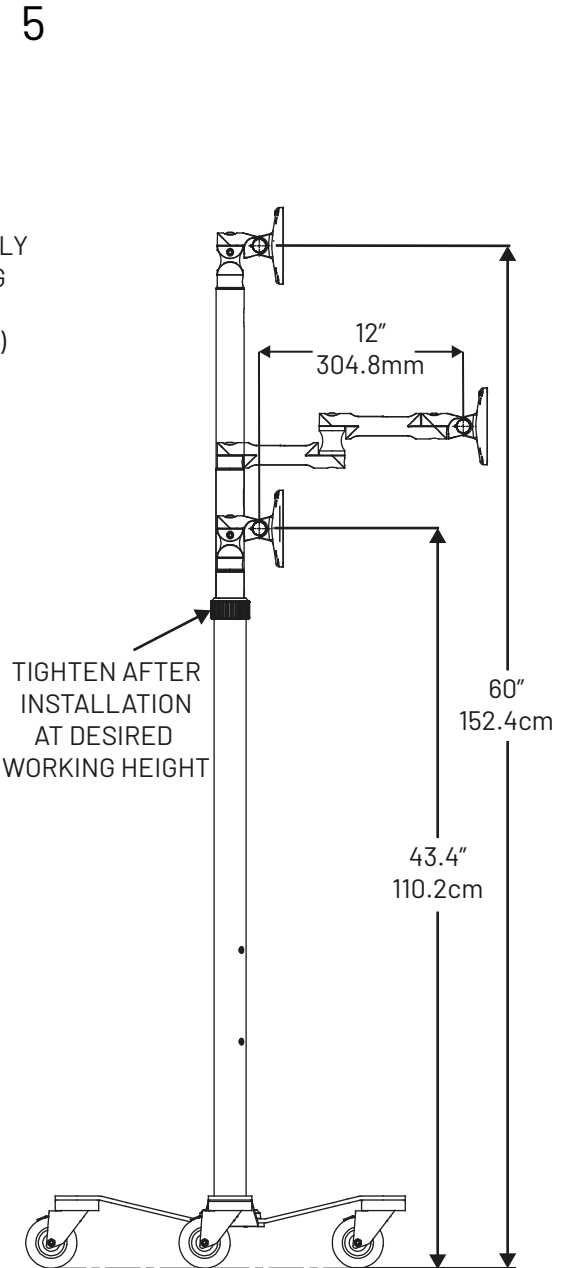
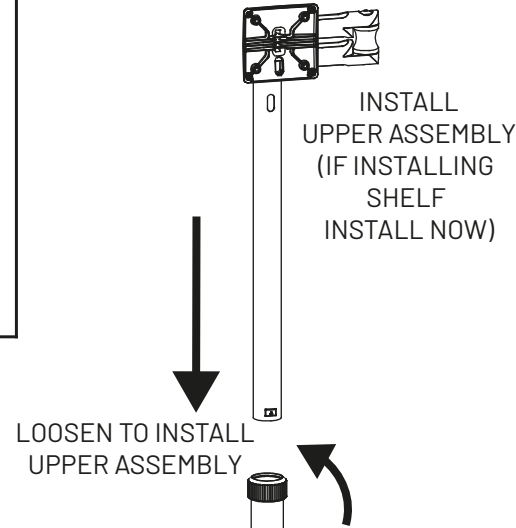
2



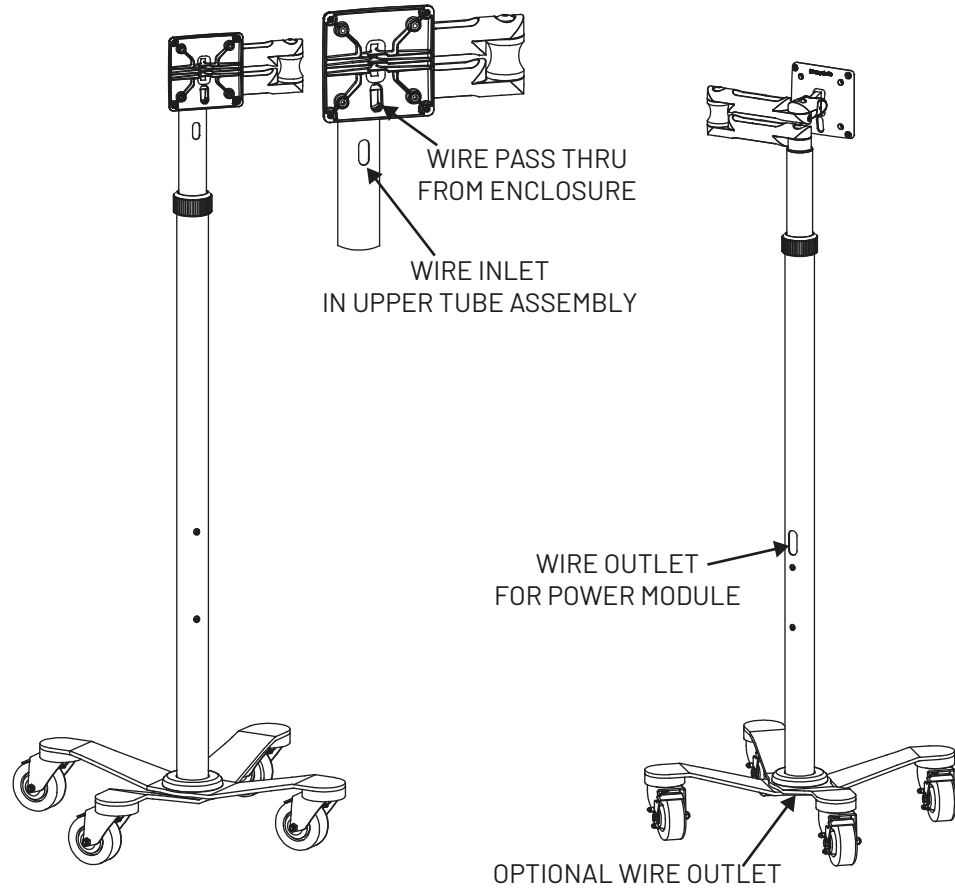
3



4

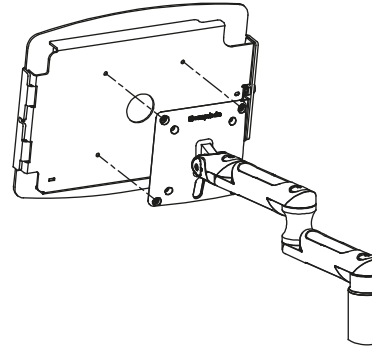


6

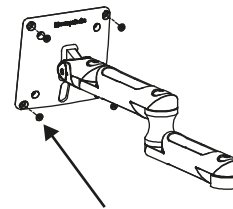


7

INSTALL YOUR TABLET ENCLOSURE AS SHOWN USING M4 SCREWS PROVIDED WITH RISE FREEDOM EXTENDED ROLLING STAND



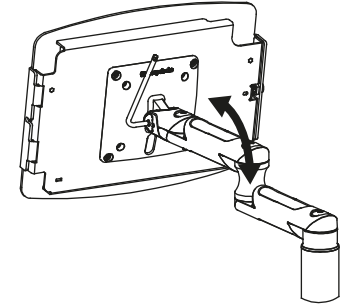
IF MOUNTING TO A MONITOR



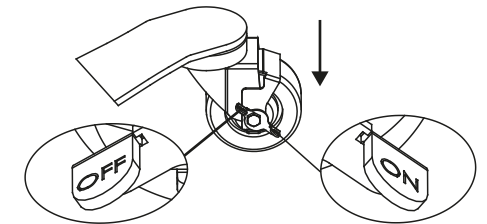
REMOVE M4 PRESS IN NUTS

8

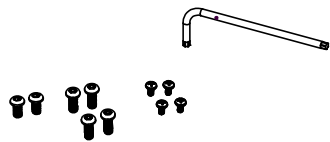
ADJUST TILT / TENSION



LOCKING THE CASTER

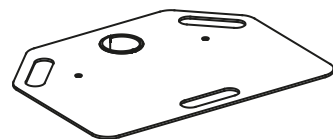


IN THE BOX

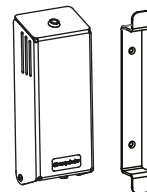


Hardware Kit

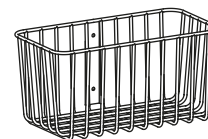
ACCESSORIES



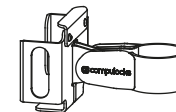
Keyboard / Writing Shelf Kit



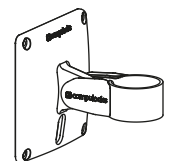
Power Module Kit



Accessory Basket Kit



JBL GO 2 Speaker Bracket



Single Add On Bracket Kit