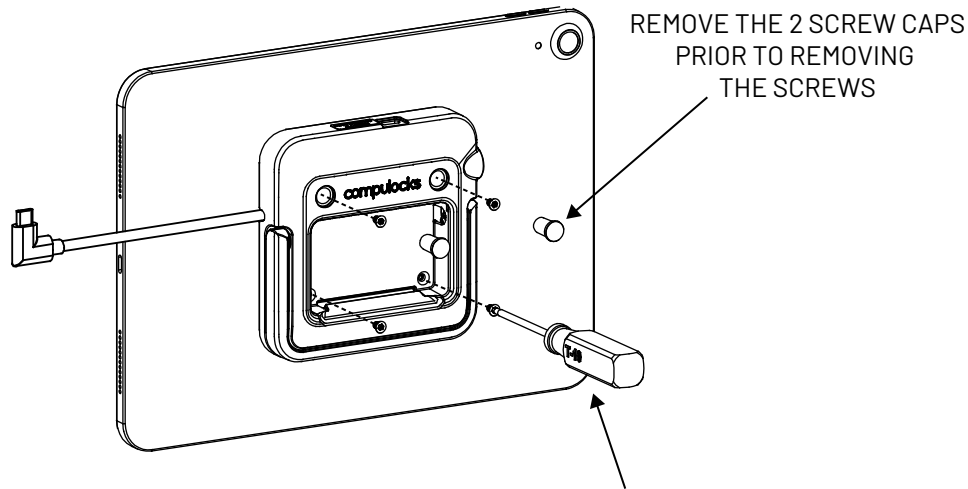
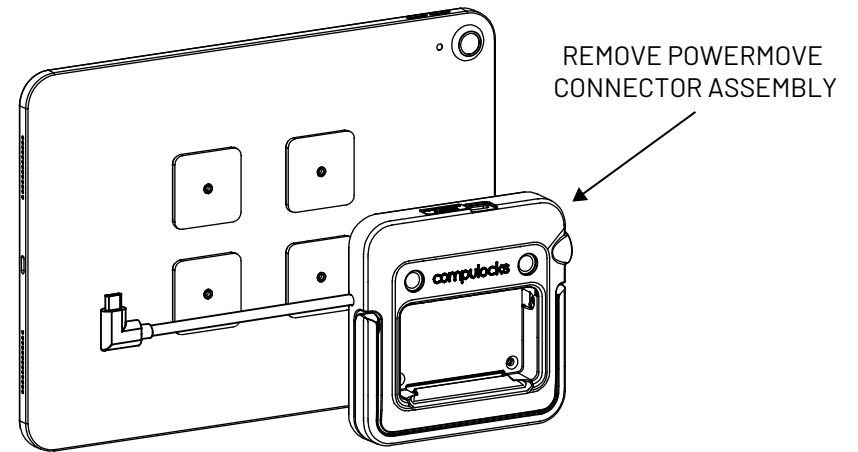


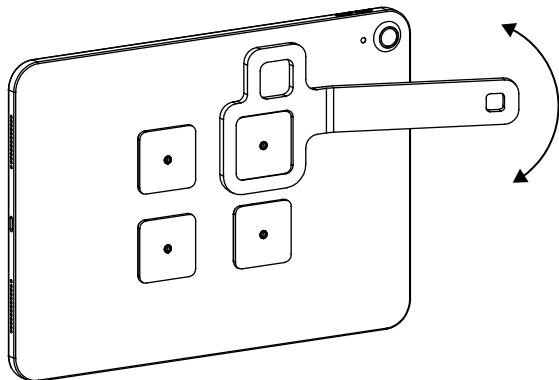
1



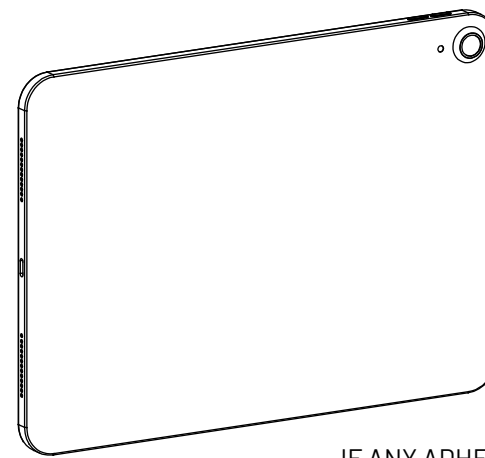
2



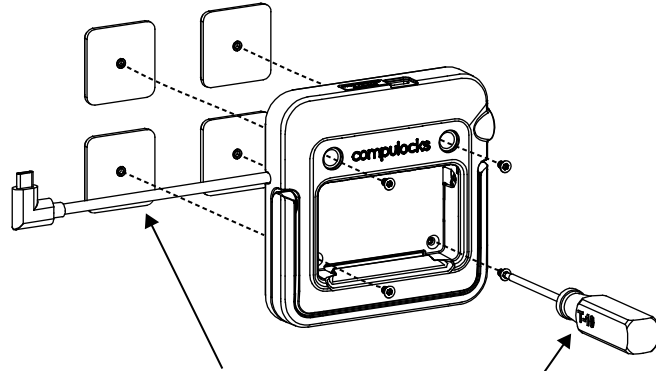
3



4

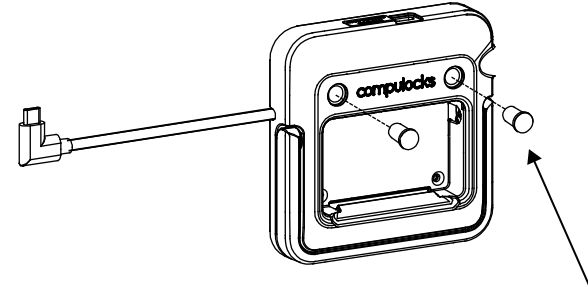


5



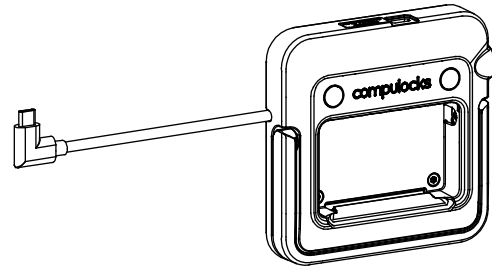
INSTALL 4 REPLACEMENT PADS
USING 4 M3 x 5mm TORX FLAT HEAD SCREWS
USING T-10 SCREWDRIVER (SENT WITH ORIGINAL POWERMOVE)

6



INSTALL THE 2 SCREW CAPS

7

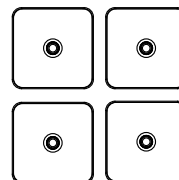


POWERMOVE CONNECTOR ASSEMBLY
IS READY FOR INSTALLATION. FOLLOW POWERMOVE
CONNECTOR ASSEMBLY INSTRUCTIONS

IN THE BOX



M3 X 5mm Torx Flat Head Screws



Pads



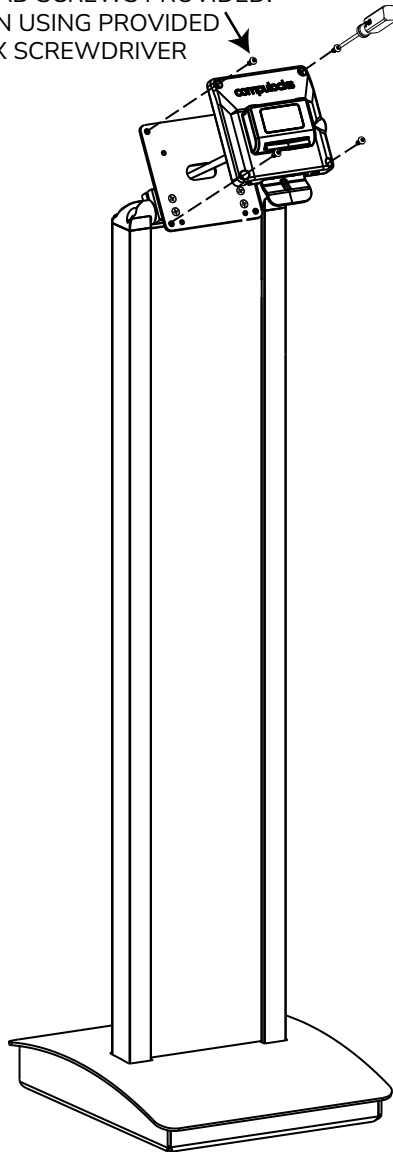
Alcohol Wipes

Assembly Instructions

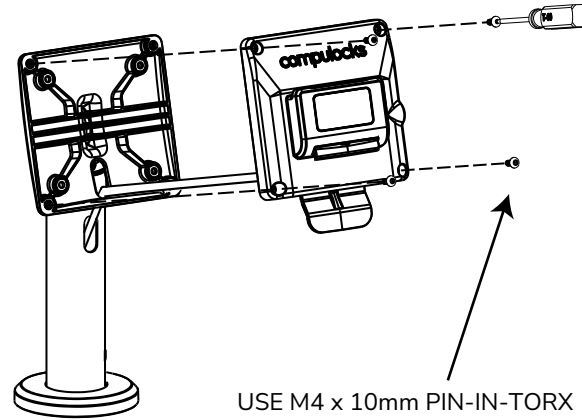
Mounting Options

1 Floor Stand Mounting

USE M4 x 10mm PIN-IN-TORX
BUTTON HEAD SCREWS PROVIDED.
TIGHTEN USING PROVIDED
TORX SCREWDRIVER

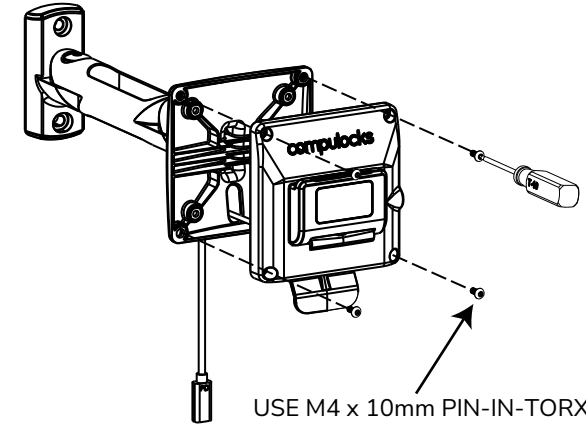


2 Counter Stand Mounting



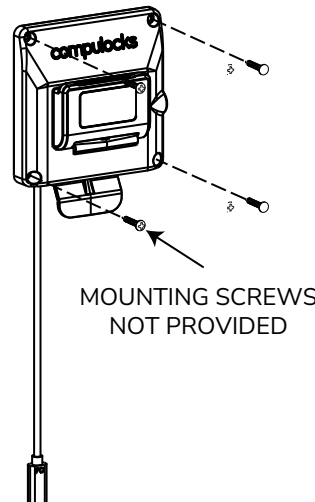
USE M4 x 10mm PIN-IN-TORX
BUTTON HEAD SCREWS PROVIDED.
TIGHTEN USING PROVIDED
TORX SCREWDRIVER

3 Wall Arm Mounting



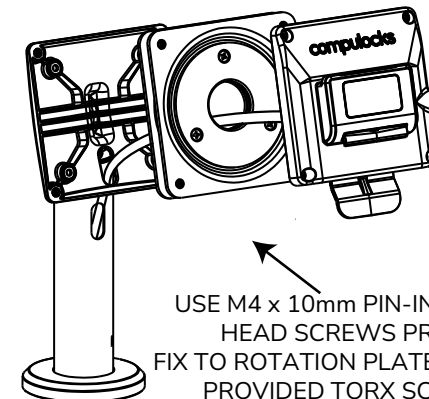
USE M4 x 10mm PIN-IN-TORX
BUTTON HEAD SCREWS PROVIDED.
TIGHTEN USING PROVIDED
TORX SCREWDRIVER

4 Direct Mounting To Wall



MOUNTING SCREWS
NOT PROVIDED

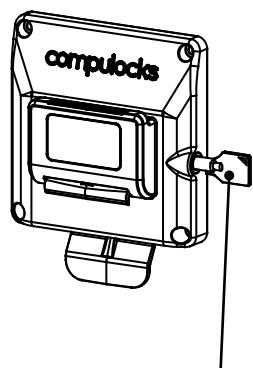
Optional Add-On:
Portrait To Landscape Rotation Plate



USE M4 x 10mm PIN-IN-TORX BUTTON
HEAD SCREWS PROVIDED TO
FIX TO ROTATION PLATE. TIGHTEN USING
PROVIDED TORX SCREWDRIVER.
USE SCREWS PROVIDED WITH ROTATION PLATE
TO SECURE TO STAND or ARM

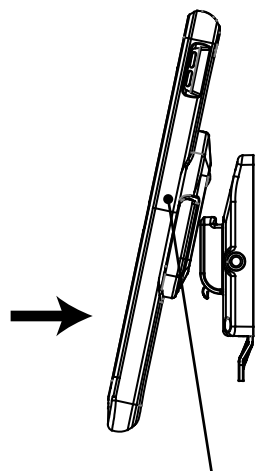
Placing Tablet with Connector to Dock Station

1



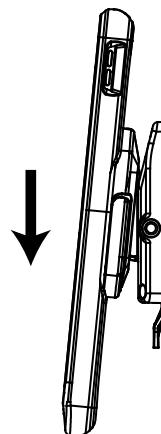
USE KEY TO UNLOCK THE LOCK.
REMOVE KEY

2



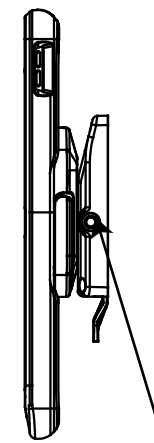
ALIGN CONNECTOR TO DOCK STATION

3



APPLY LIGHT PRESSURE.
LATCH WILL ENGAGE

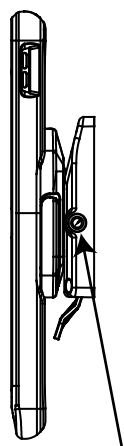
4



PUSH LOCK BUTTON TO SECURE
TABLET TO DOCK STATION

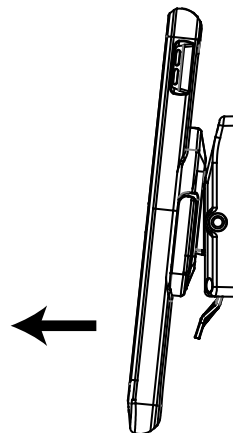
Removing Tablet with Connector from Dock Station

1



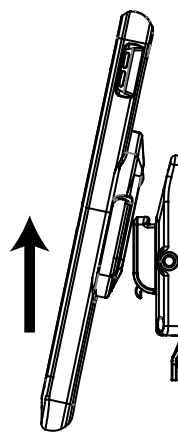
PRIOR TO PULLING LATCH,
UNLOCK LOCK USING KEY

2



PULL LATCH FORWARD

3



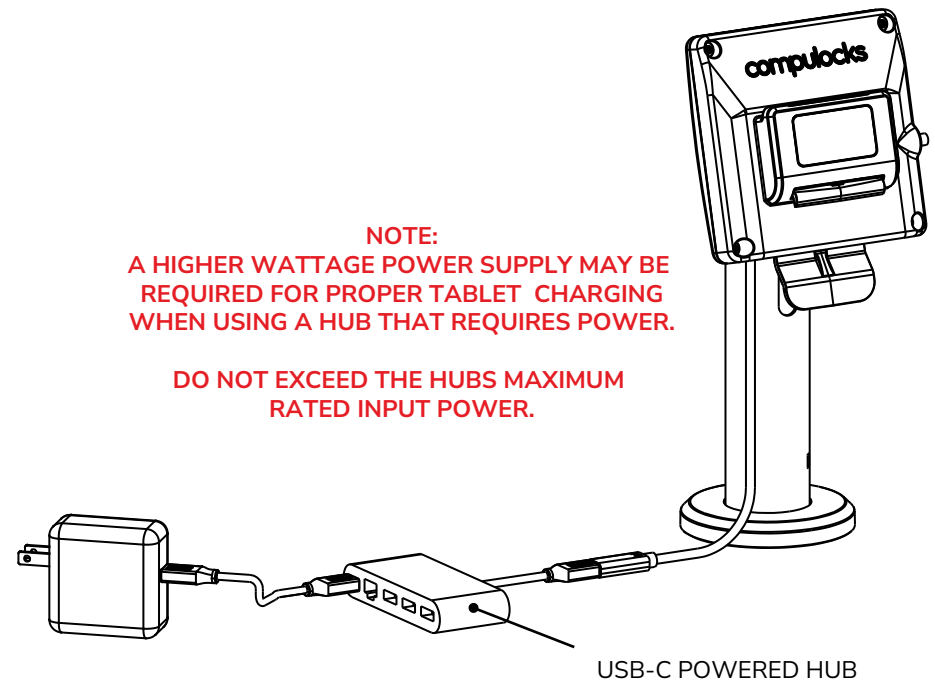
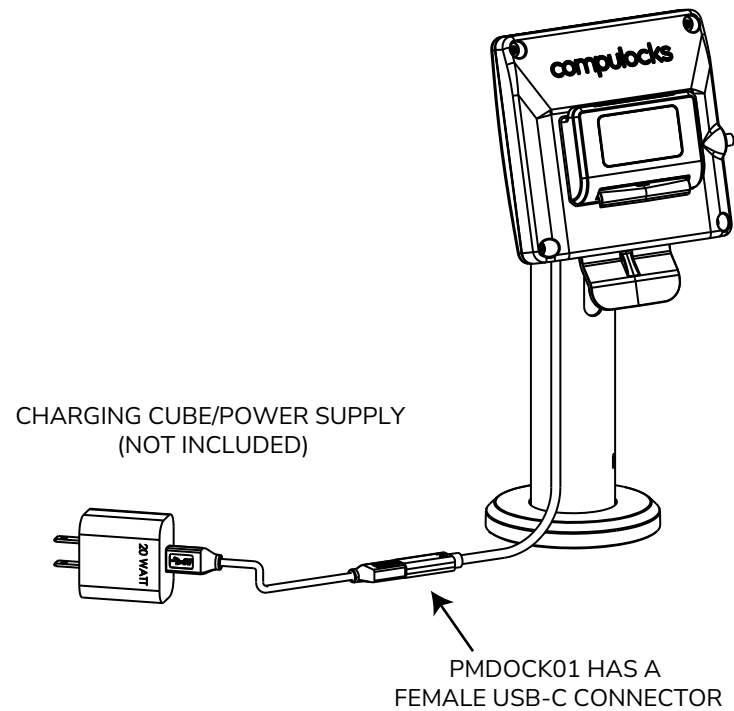
GENTLY PULL UP TO RELEASE

4



Tablet Charge PD Compatible

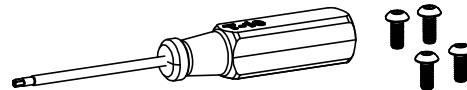
Tablet Data and Charge PD Compatible



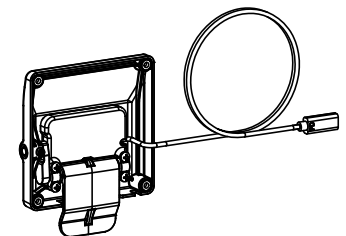
IN THE BOX



Keys

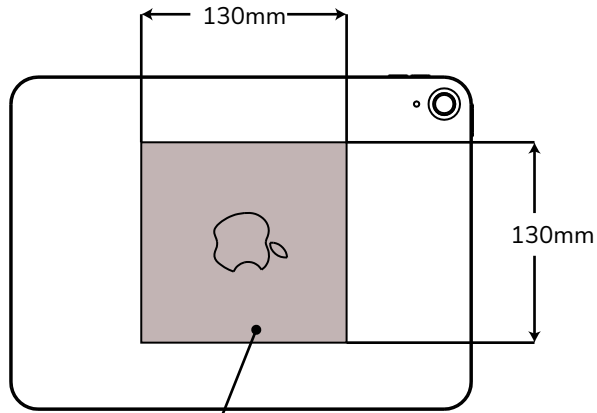


Hardware Kit



PowerMove Dock Station

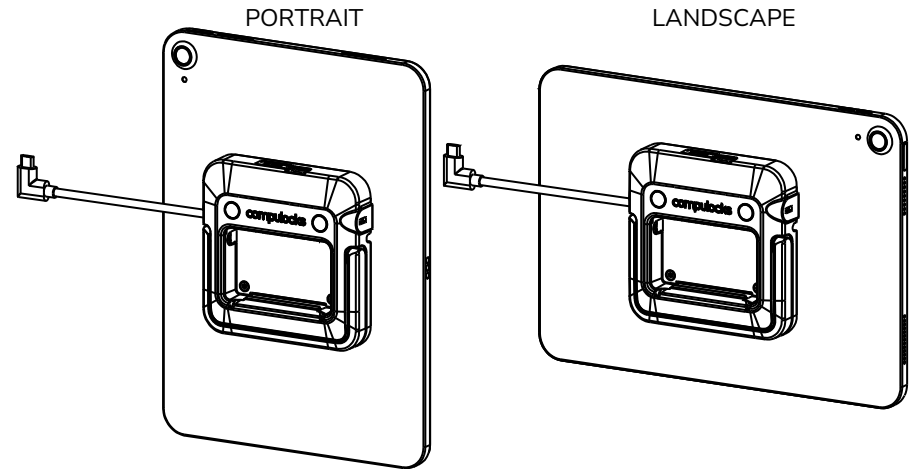
1



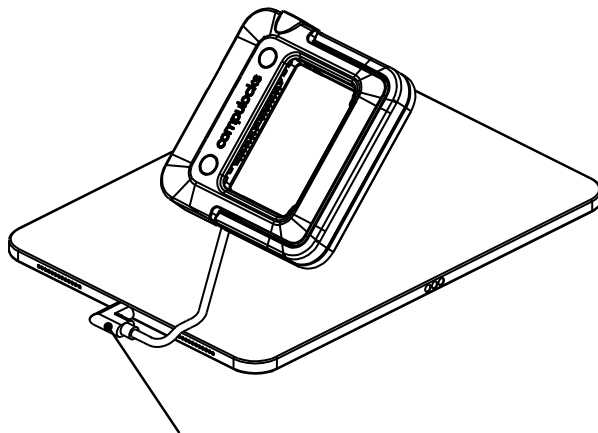
USING ALCOHOL PAD PROVIDED,
CLEAN 130mm SQUARE AREA CENTERED ON THE BACK OF THE TABLET.
ALLOW TO AIR DRY

2

SELECT THE ORIENTATION
OF THE CONNECTOR ON THE TABLET



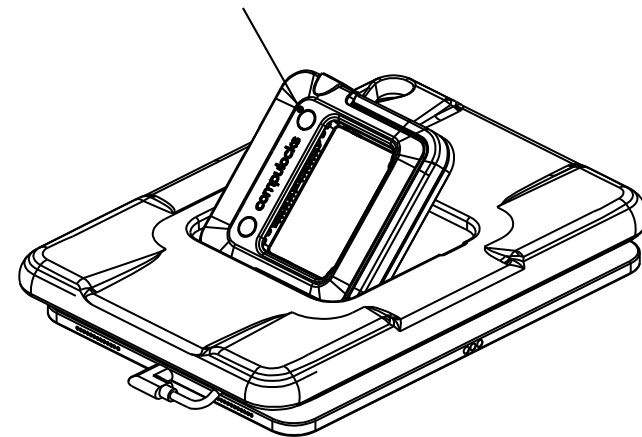
3



INSTALL RIGHT ANGLE USB-C CABLE
AS SHOWN

4

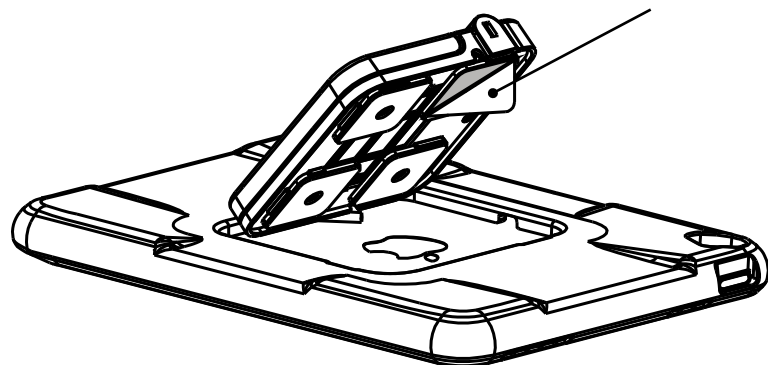
PASS CONNECTOR THROUGH CASE*
AND INSTALL CASE ON TABLET



*CASE SOLD SEPARATELY

5

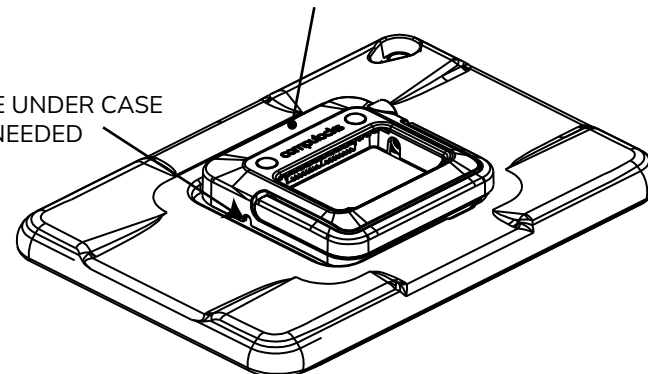
REMOVE COVERS TO EXPOSE
ADHESIVE ON ALL 4 PADS



6

CENTER CONNECTOR ON OPENING
IN CASE AND ADHERE TO TABLET WITH MILD PRESSURE

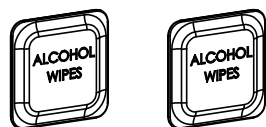
FEED CABLE UNDER CASE
AS NEEDED



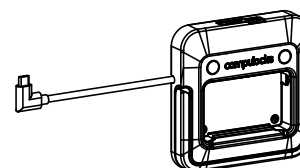
NOTE:
TABLET AND CONNECTOR SHOULD BE AT
ROOM TEMPERATURE FOR BEST RESULTS

FOR BEST PERFORMANCE ALLOW
CONNECTOR TO BOND TO TABLET FOR 12 HOURS.

IN THE BOX



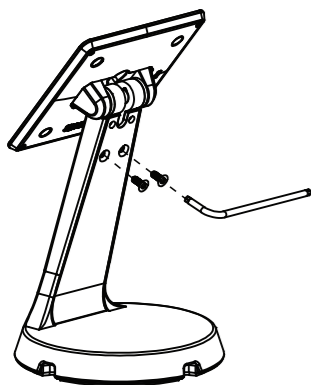
Alcohol Wipes



PowerMove Connector

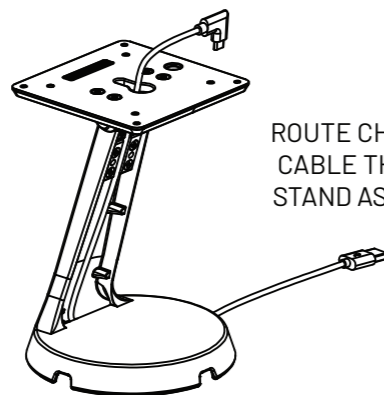
Through Stand Cable Assembly

1



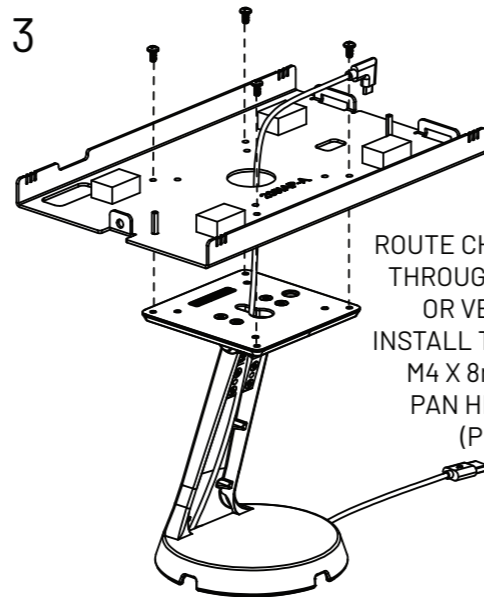
REMOVE FRONT COVER.
USE T-20 TORX
WRENCH (PROVIDED)
TO REMOVE M4 X 10mm
TORX FLAT HEAD SCREWS

2



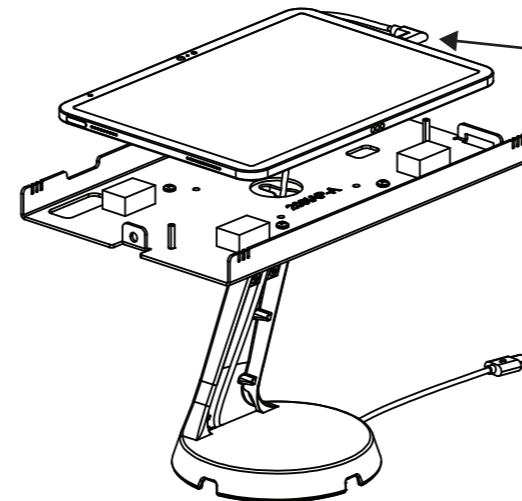
ROUTE CHARGING
CABLE THROUGH
STAND AS SHOWN

3



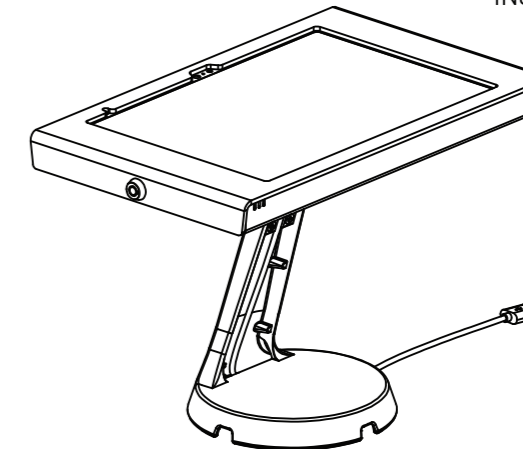
ROUTE CHARGING CABLE
THROUGH ENCLOSURE
OR VESA MOUNT.
INSTALL TO STAND USING
M4 X 8mm PHILLIPS
PAN HEAD SCREWS
(PROVIDED)

4



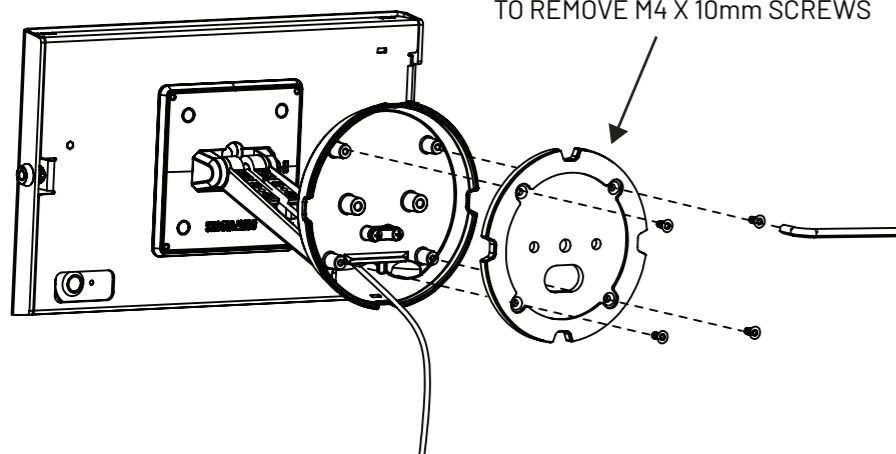
ATTACH CHARGING CABLE
TO TABLET, LEAVE A SMALL LOOP
OF CABLE BENEATH THE TABLET

5



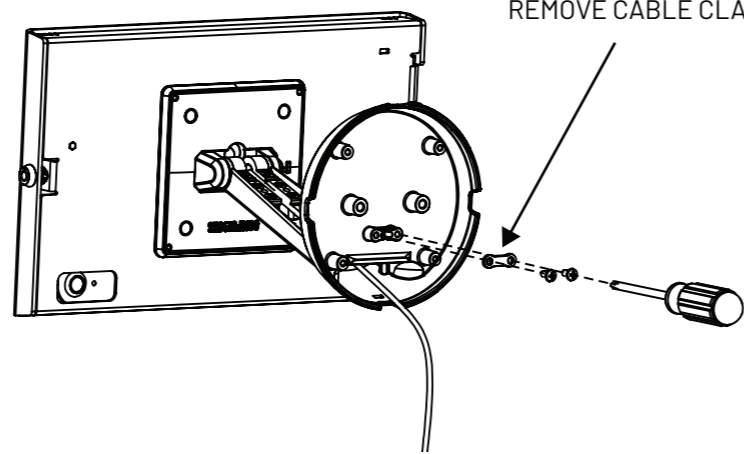
INSTALL THE REST OF THE ENCLOSURE
OR VESA MOUNT
PER THEIR INSTRUCTIONS

6



REMOVE BOTTOM PLATE.
USE T-20 TORX WRENCH (PROVIDED)
TO REMOVE M4 X 10mm SCREWS

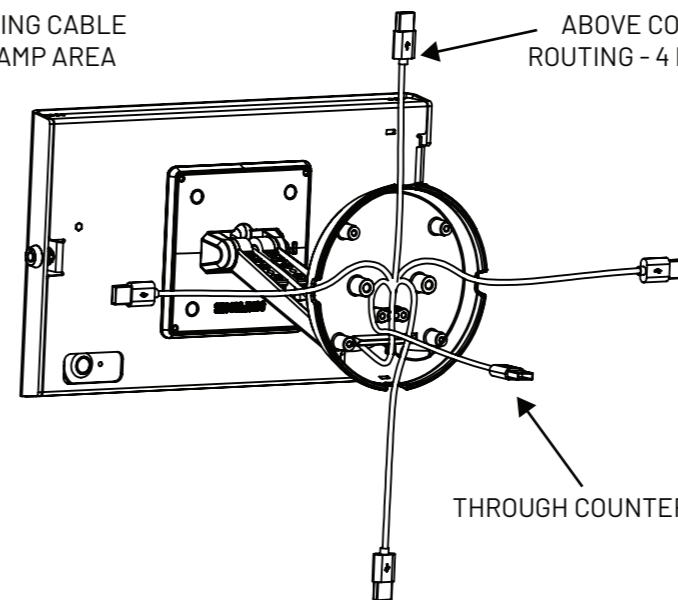
7



REMOVE CABLE CLAMP

8

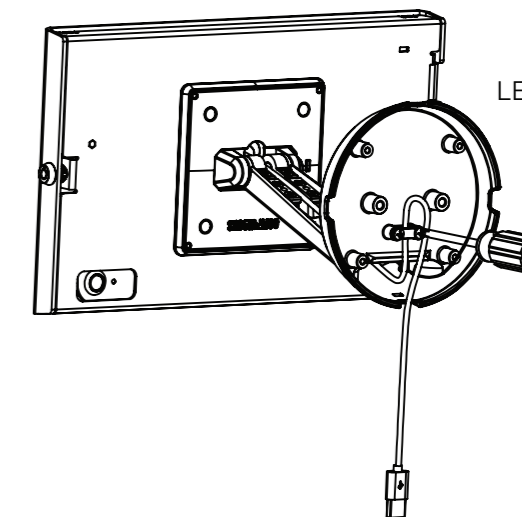
ROUTE CHARGING CABLE
THROUGH CLAMP AREA



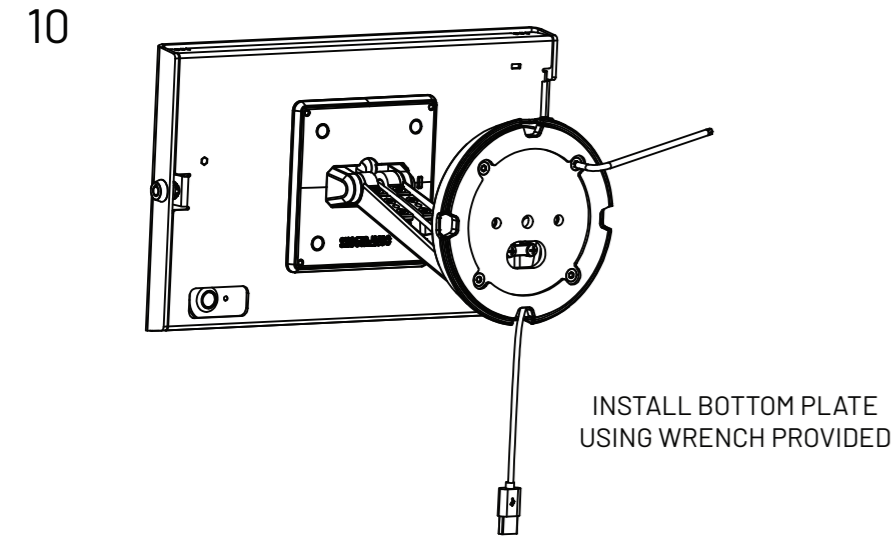
ABOVE COUNTER
ROUTING - 4 POSITIONS

THROUGH COUNTER ROUTING

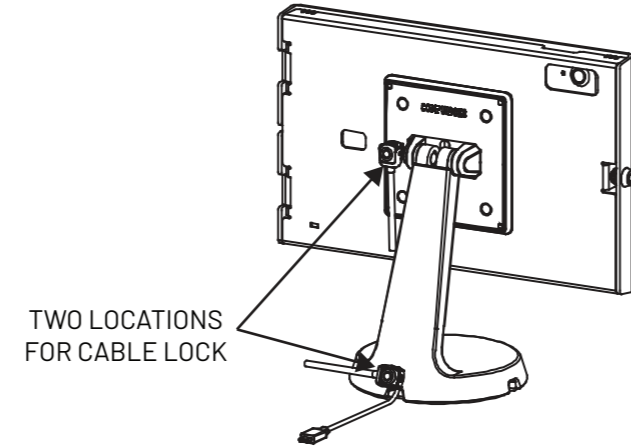
9



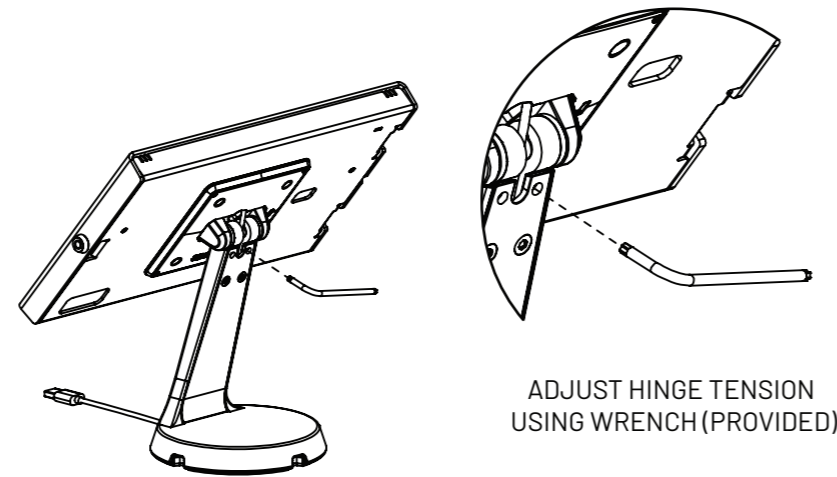
REINSTALL CABLE CLAMP
DO NOT OVER TIGHTEN
LEAVE SLACK IN POWER CORD
BELOW CLAMP



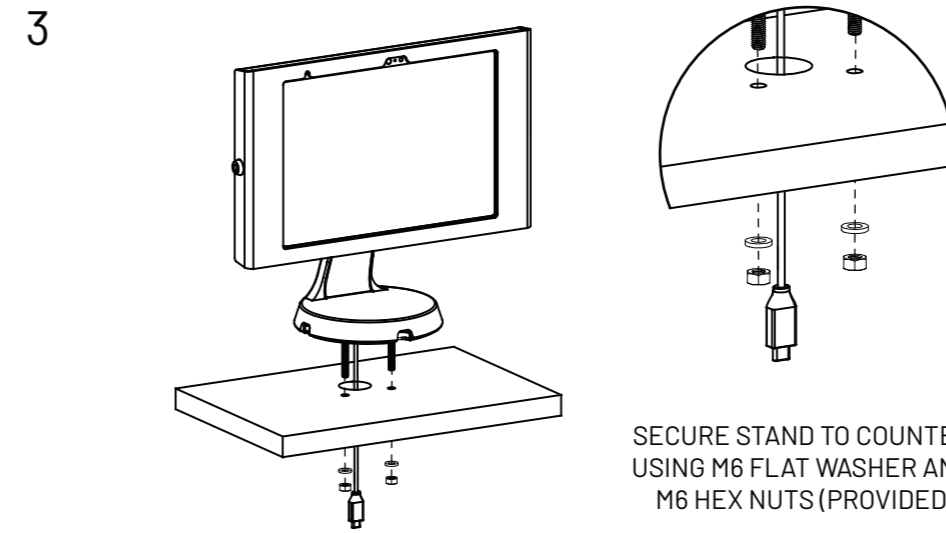
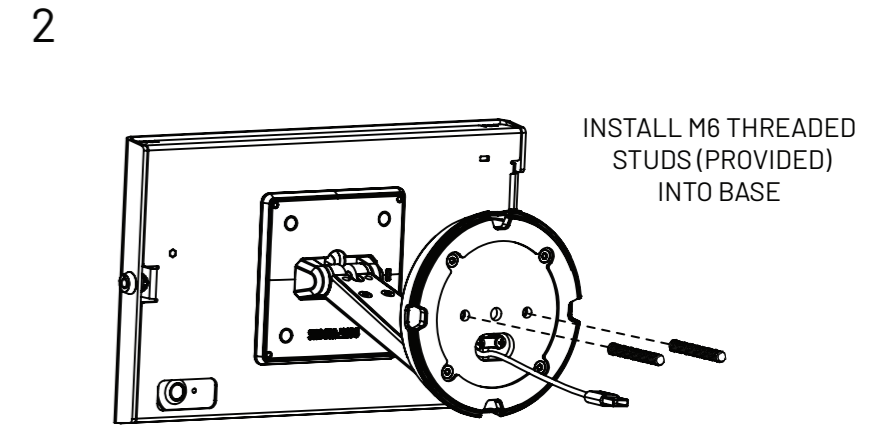
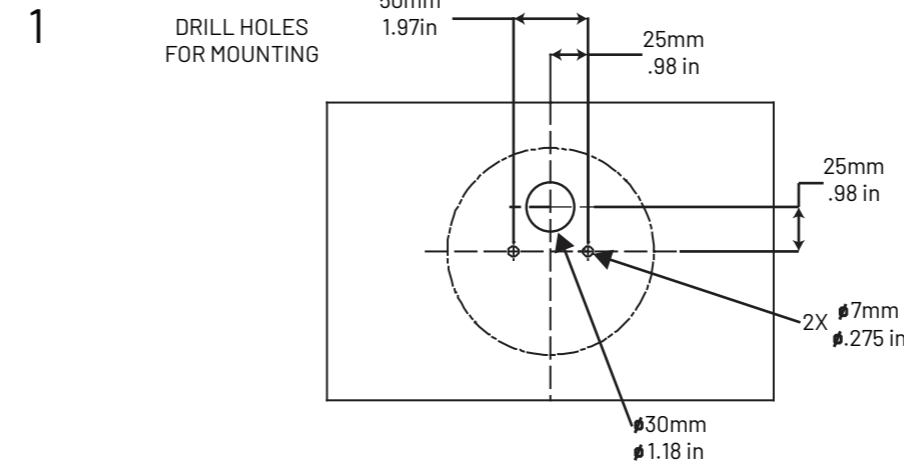
Securing Stand Using Cable Lock



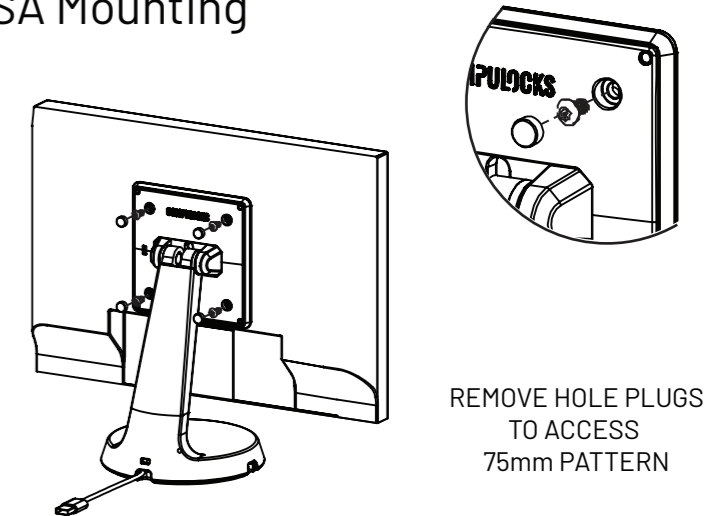
Tilt Tension Adjustment



Secure Counter Mounting



75mm VESA Mounting



IN THE BOX



Hardware Kit

