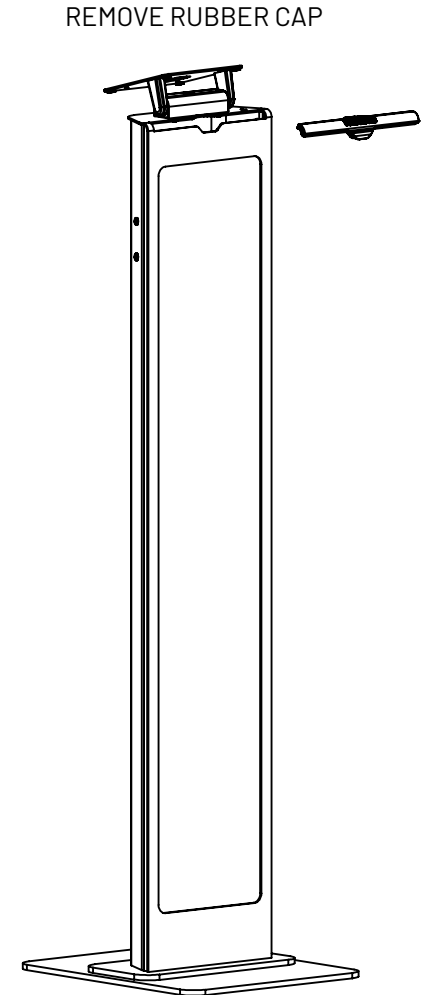
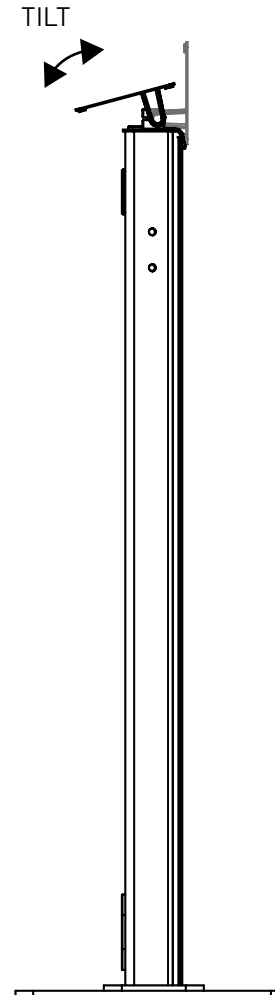
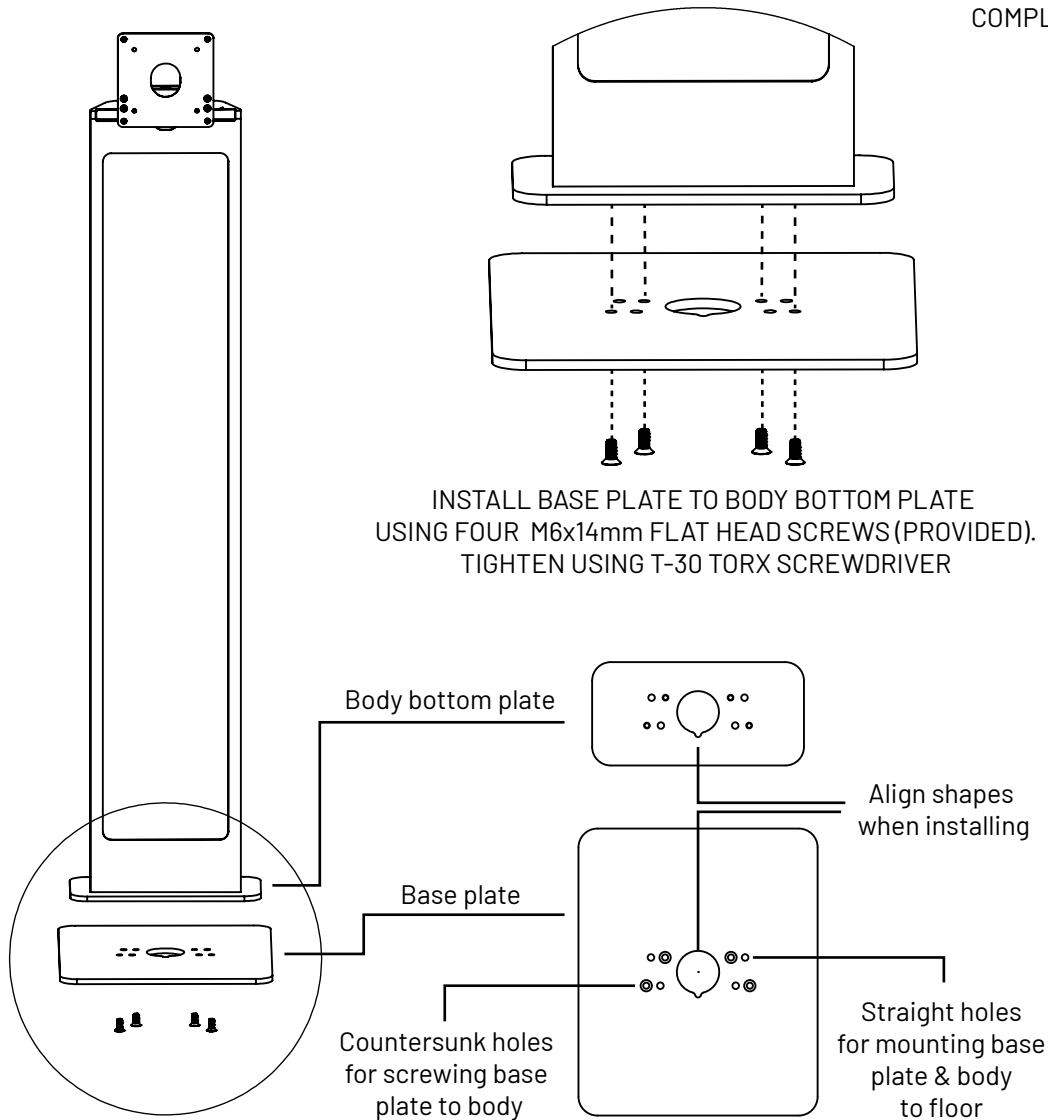


1 Floor Mounting Option - Freestanding

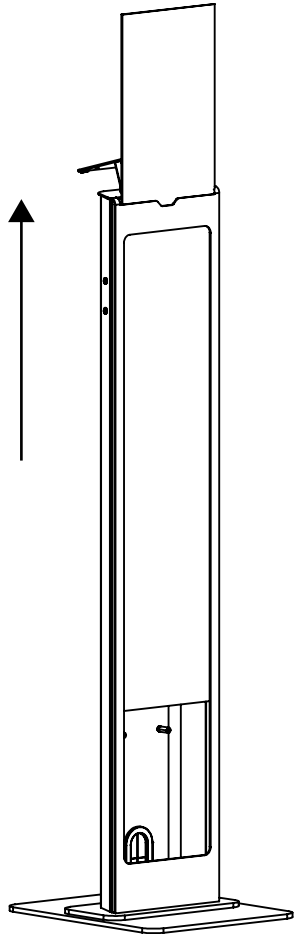
1A Floor Mounting Option - Bolt To Floor

COMPLETE STEP 1

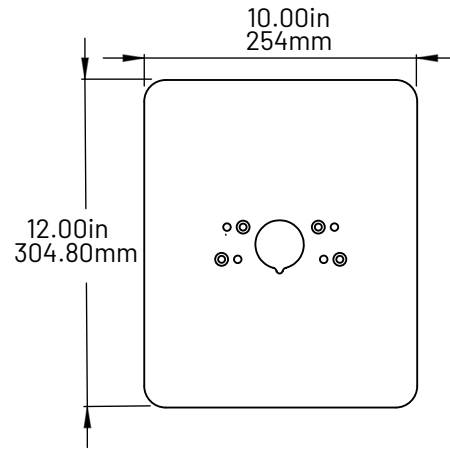


1A - Continued

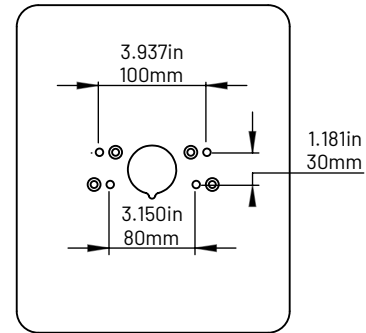
TAKE OUT COVER PANEL



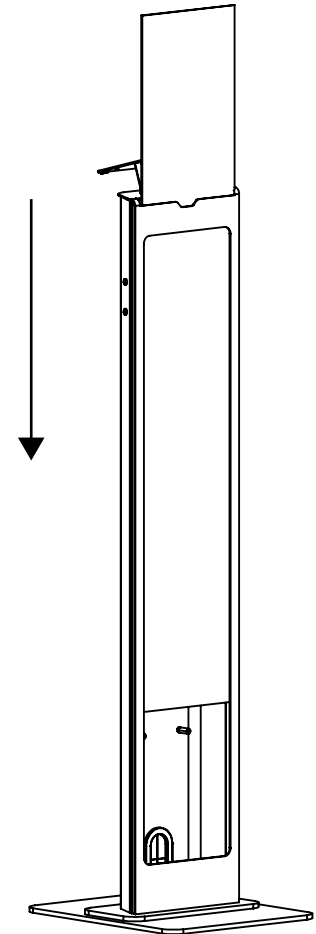
BOTTOM PLATE SIZE



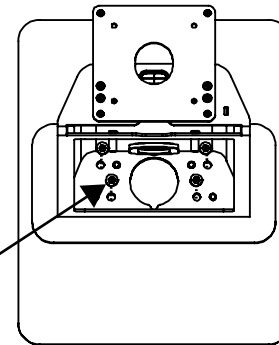
FLOOR MOUNTING PATTERN



PUT THE COVER PANEL BACK

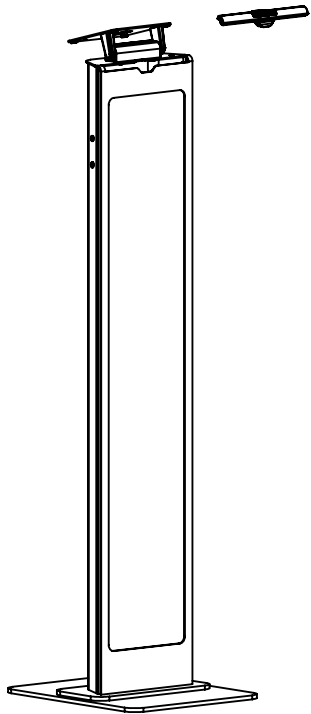


LOCATE SCREW HOLES IN BODY
BOTTOM PLATE
BOLT TO FLOOR USING
APPROPRIATE BOLTS
FOR FLOOR TYPE (NOT PROVIDED)

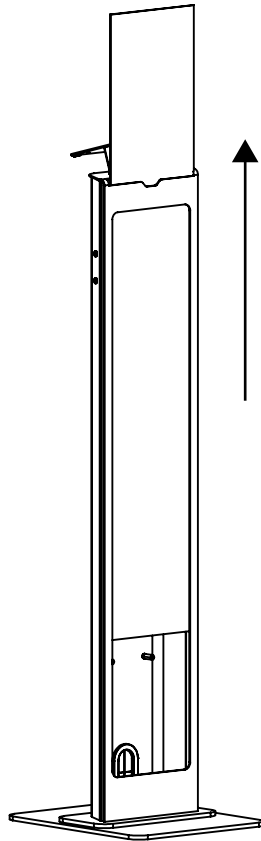


2 Cable Management Options

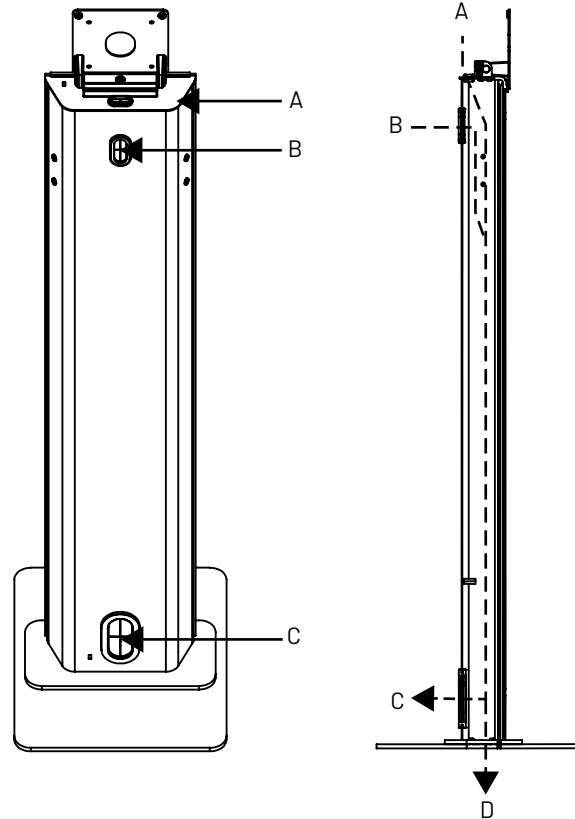
REMOVE RUBBER CAP



TAKE OUT COVER PANEL

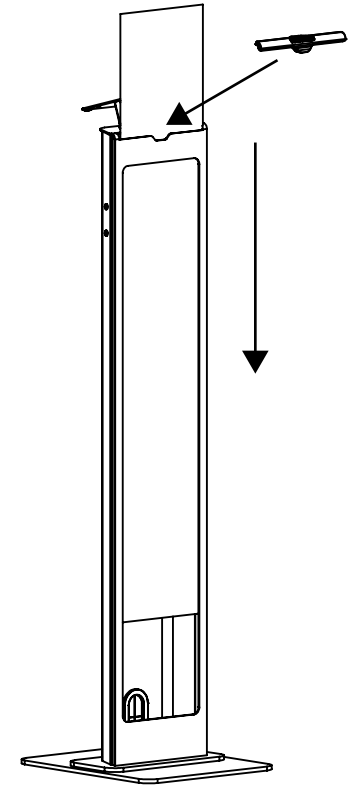


A - INLET IN TOP PLATE
B - INLET IN BACK PLATE
C - EXIT IN BACK PLATE
D - EXIT IN BASE PLATE



1. PUT THE COVER PANEL BACK
2. PUT BACK THE RUBBER CAP*

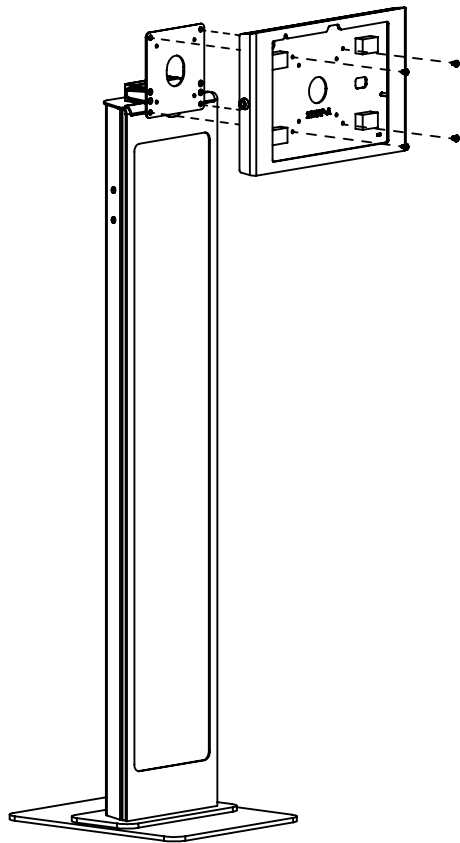
*for easier insertion the rubber cap, use a flat head screwdriver or similiar object to adjust the cap.



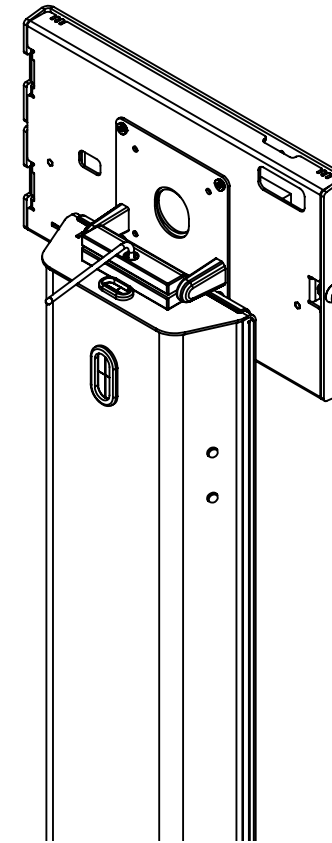
3A Install Device

3B

INSTALL YOUR TABLET ENCLOSURE
(OR VESA COMPATIBLE MOUNTING SOLUTION)
USING FOUR M4x8mm PHILLIPS PAN HEAD SCREWS (PROVIDED)

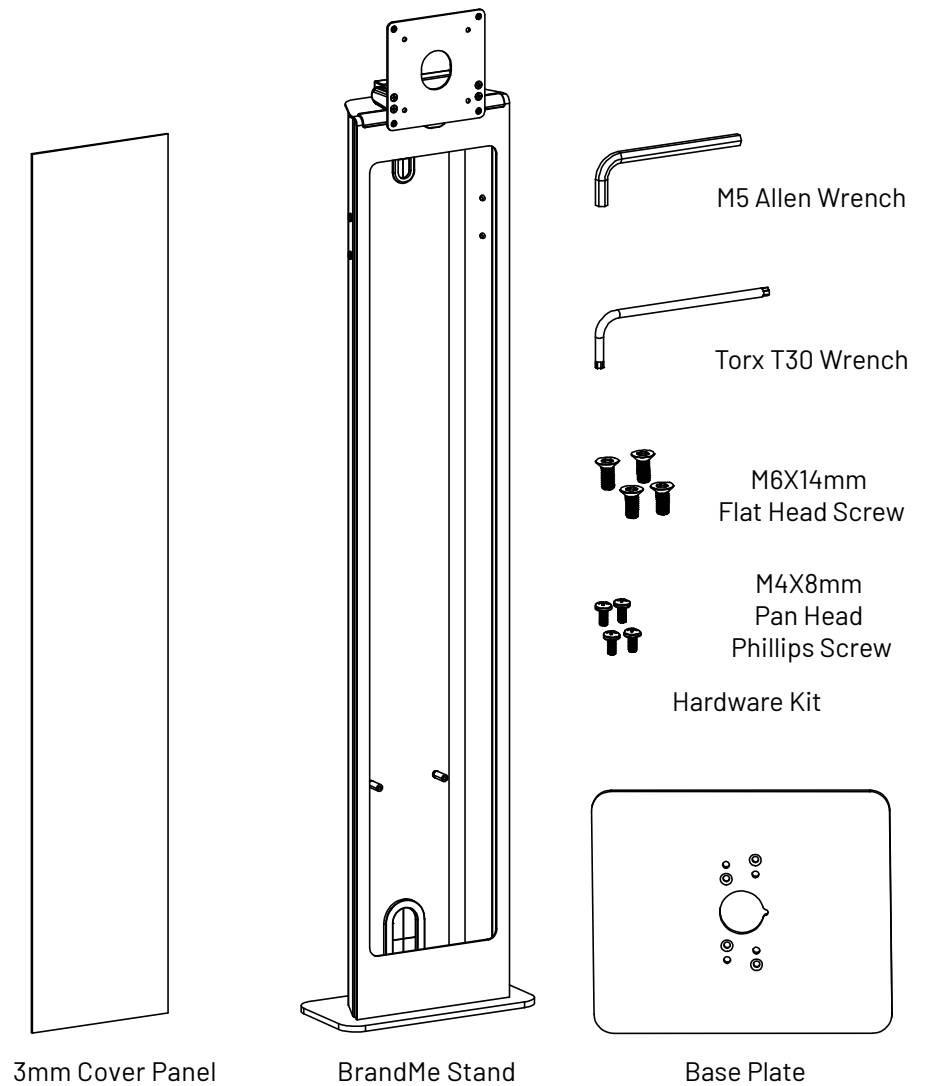
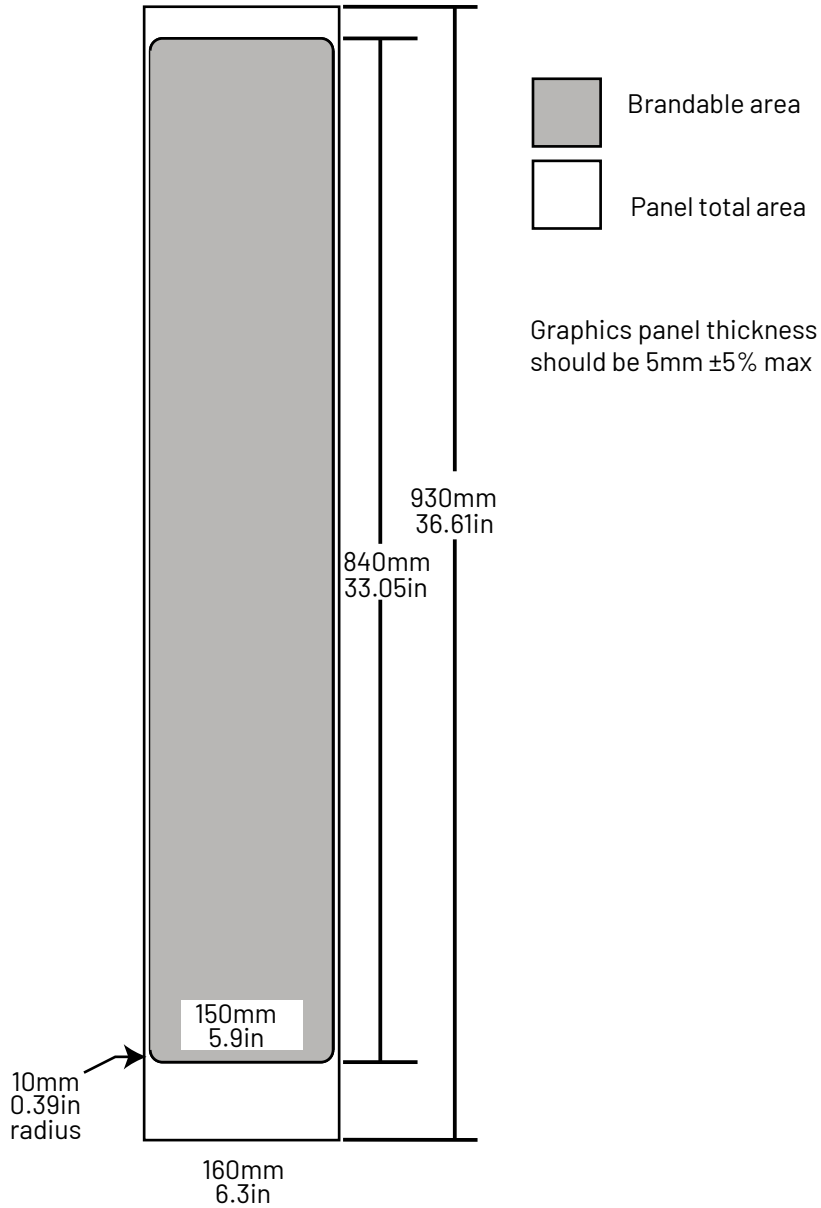


ADJUST TILT RESISTANCE BY
TIGHTENING THE SCREW LOCATED
ON THE HINGE ASSEMBLY



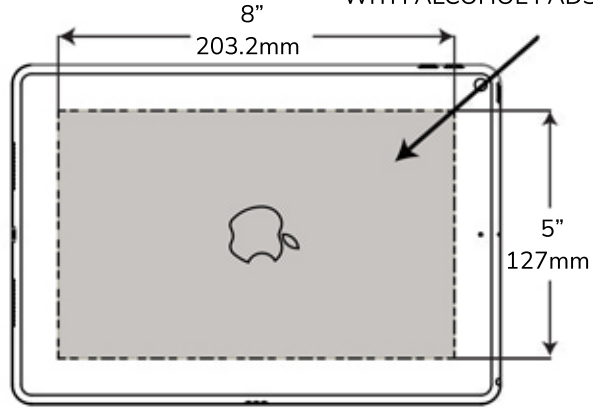
Graphic Panel Specifications

In The Box



Assembly Instructions

1 IDENTIFY THE FIXING AREA,
AND CLEAN
WITH ALCOHOL PADS PROVIDED



2 PEEL COVER
TO EXPOSE
ADHESIVE PAD

PEEL COVER
TO EXPOSE
ADHESIVE PAD

PEEL COVER
TO EXPOSE
ADHESIVE PAD

The diagram shows the back of the mount with four adhesive pads. Arrows point to the covers on each pad, with the text 'PEEL COVER TO EXPOSE ADHESIVE PAD' repeated three times.

3 INSTALL MOUNT,
CENTERED
ON THE CLEANED AREA

The diagram shows the mount being placed onto the tablet, centered on the shaded area.

ACHIEVES FULL STRENGTH
AFTER 12 HOURS

4 REMOVE MOUNT FROM DEVICE
BY REMOVING M4 PIN TORX SCREWS
USING PROVIDED T-15 SCREWDRIVER

The diagram shows the mount being removed from the tablet. An arrow points to the screws being removed, with the text 'REMOVE MOUNT FROM DEVICE BY REMOVING M4 PIN TORX SCREWS USING PROVIDED T-15 SCREWDRIVER'.

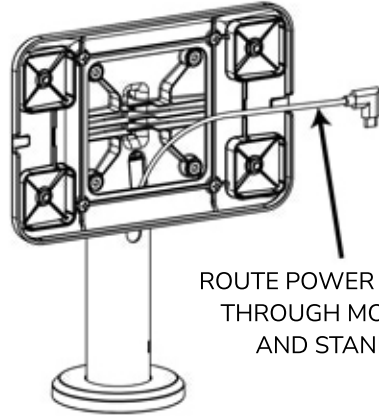
5 INSTALL MOUNT ON
ANY 100mm VESA COMPATIBLE STAND OR ARM
USING PROVIDED M4x10mm PHILLIPS PAN HEAD SCREWS

RISE POLE STAND SHOWN

The diagram shows the mount being installed on a stand. An arrow points to the stand, with the text 'RISE POLE STAND SHOWN'. Below the diagram, the text reads 'INSTALL MOUNT ON ANY 100mm VESA COMPATIBLE STAND OR ARM USING PROVIDED M4x10mm PHILLIPS PAN HEAD SCREWS'.

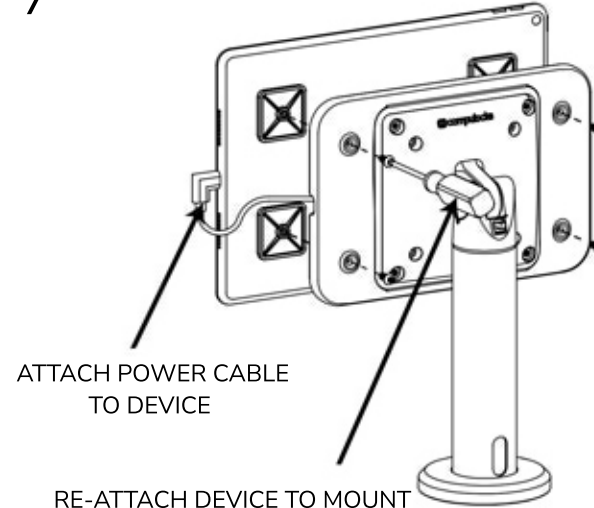
Assembly Instructions

6



ROUTE POWER CABLE
THROUGH MOUNT
AND STAND

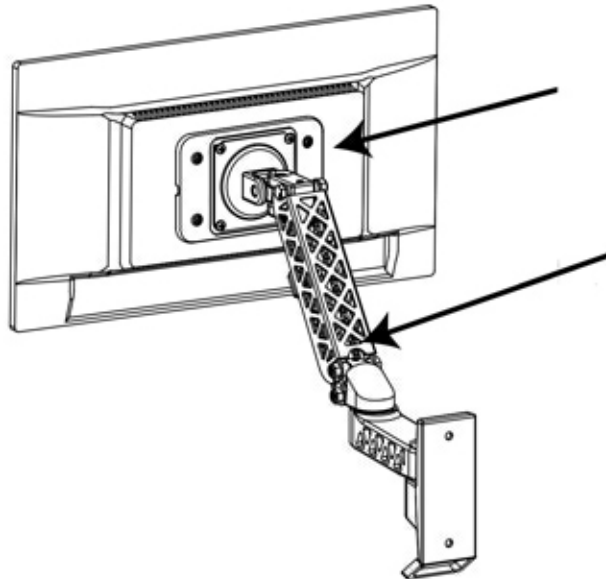
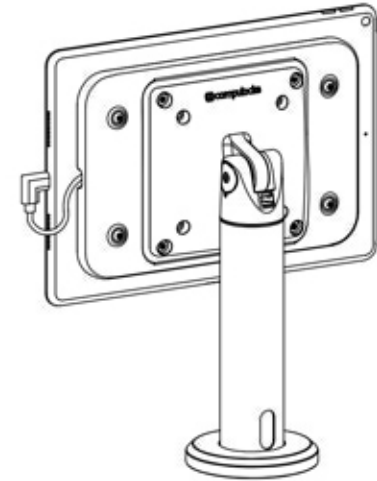
7



ATTACH POWER CABLE
TO DEVICE

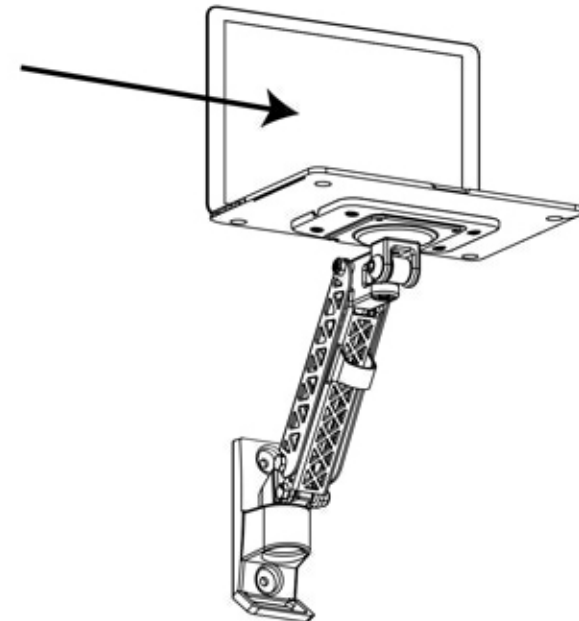
RE-ATTACH DEVICE TO MOUNT
WITH M4 PIN TORX SCREWS
USING PROVIDED T-15 SCREWDRIVER

8



IT MOUNT CAN FIX TO ANY
LAPTOP OR TABLET

IT MOUNT IS COMPATIBLE WITH ANY
100mm VESA STAND, ARM OR MOUNT



Compatible With All Compulocks' Stands

