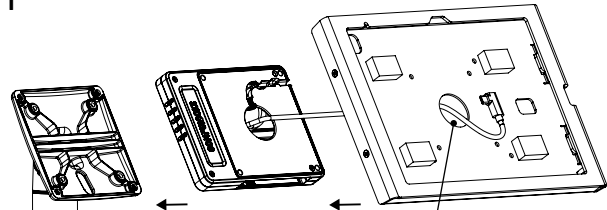


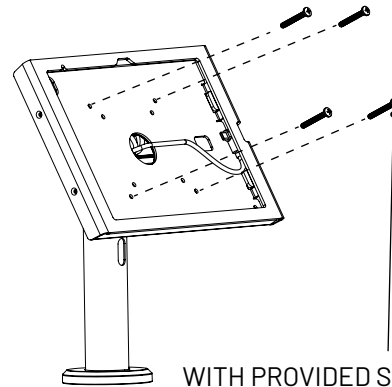
With Stand

1



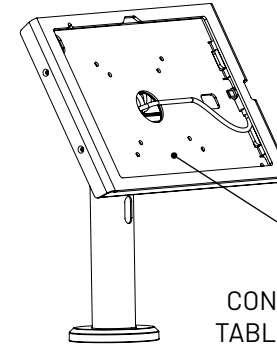
BRING THE PLUS HUB CABLE THROUGH THE CENTER HOLE OF THE BACKPLATE OF THE ENCLOSURE
ALIGN SCREW HOLES ON ENCLOSURE, PLUS HUB AND STAND.

2



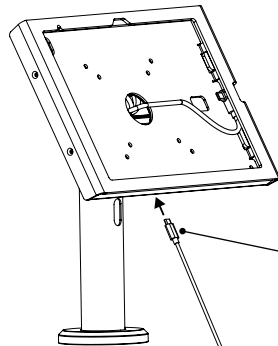
WITH PROVIDED SCREWS CONNECT THE ENCLOSURE THROUGH THE PLUS HUB TO THE STAND. TIGHTEN

3

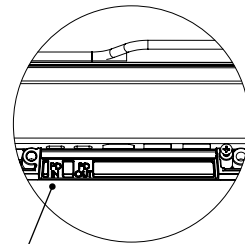


CONNECT PLUS HUB CABLE TO TABLET AND SECURE TOP PLATE AS PER INSTRUCTIONS PROVIDED FOR YOUR ENCLOSURE

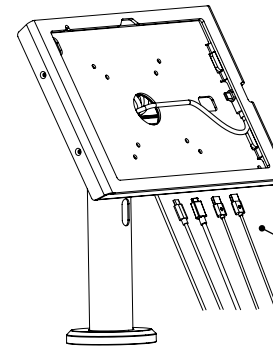
4



CONNECT POWER CABLE TO LEFT HAND INPUT PORT ON PLUS HUB

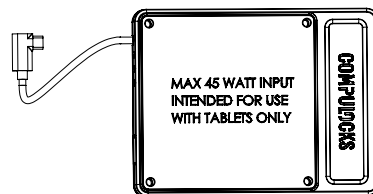


5

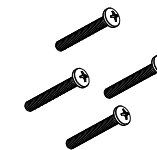


CONNECT OTHER CABLES TO PLUS HUB AS REQUIRED

IN THE BOX



Plus Hub



Philips Pan Head M4, 30mm

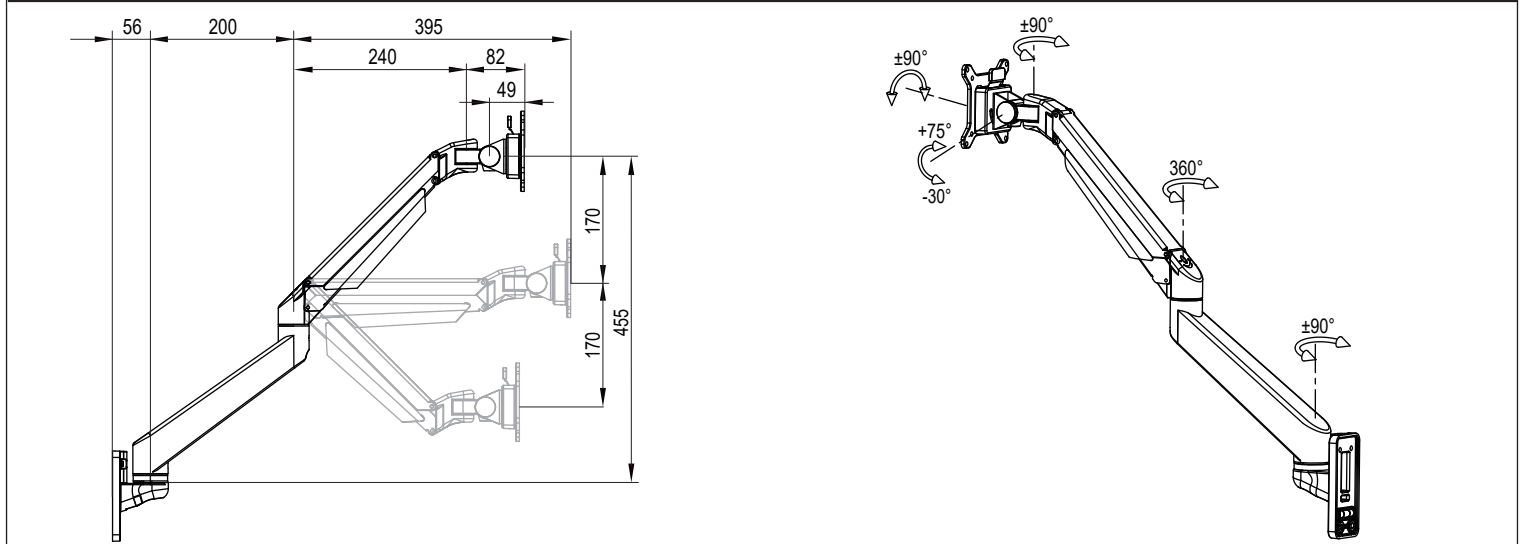
LCD Monitor Arm // Installation Manual

Product name: Articulating Monitor Arm Mount - Reach SKU:660REACH

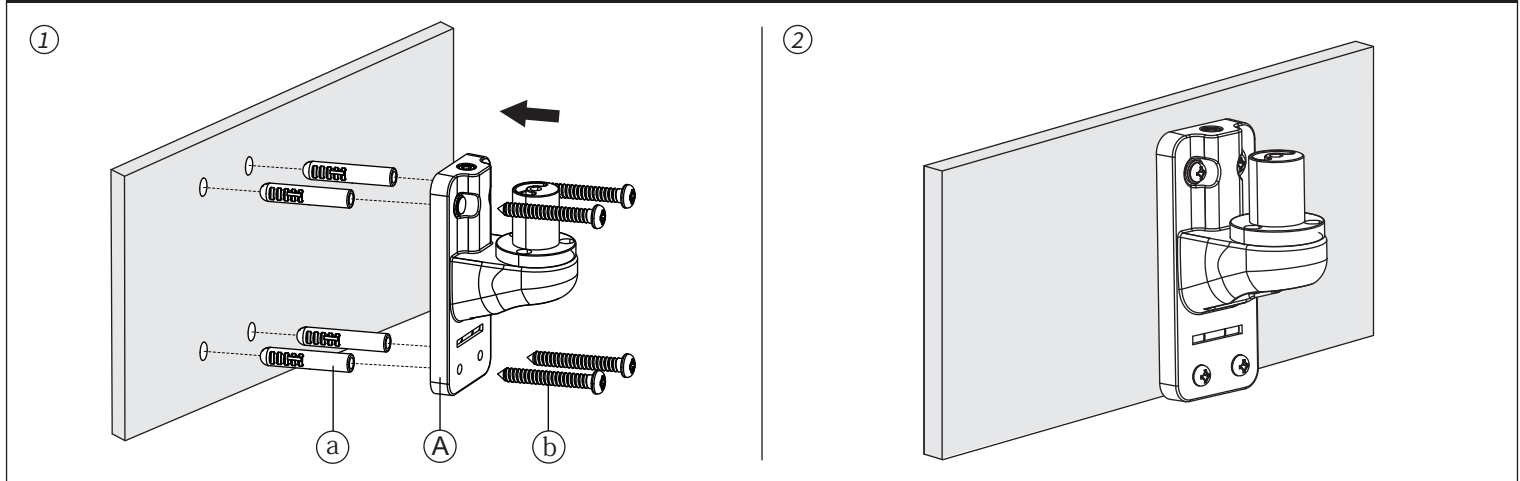
Product Specification

Sketch											
Item	Monitor size	Weight range (kg)	Lift(mm)	Tilt	Swivel	Pivot	VESA	Packing size (mm)	N.W(kg)	G.W(kg)	Hole layout (mm)
Specification	≤30"	2-10	340	+75°~ -30°	±90°	±90°	75*75	Inner: 475*195*140	Inner: 2.6	Inner: 3.1	28.6x104
		8-20					100*100	Outer: 490*210*440	Outer: 7.8	Outer: 9.8	

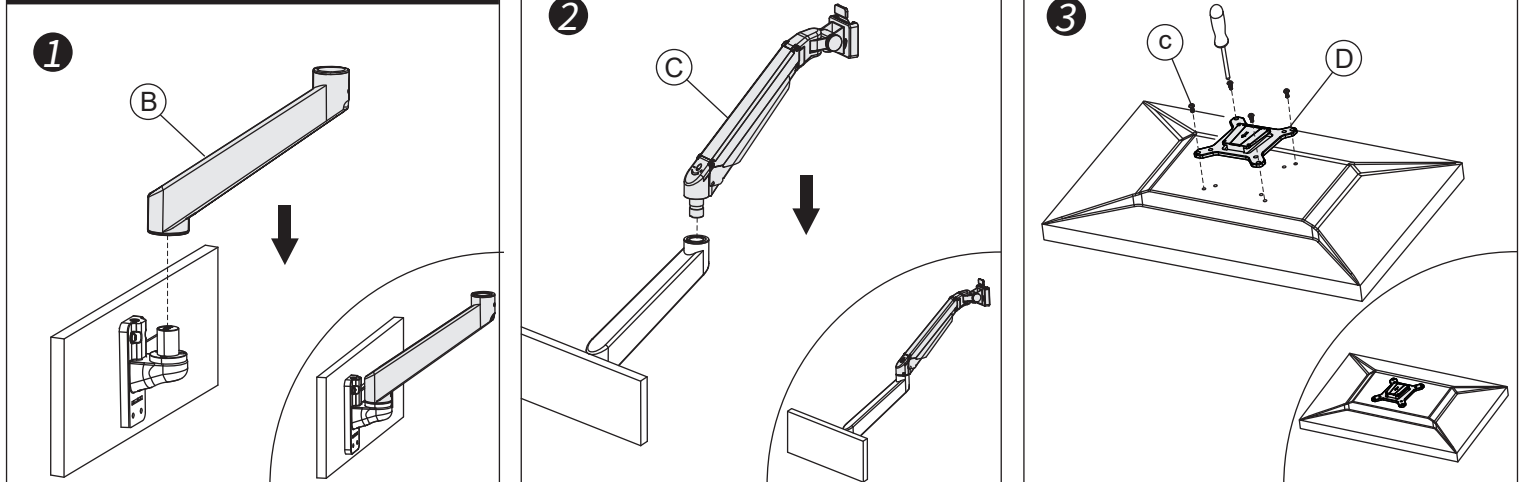
Product Size

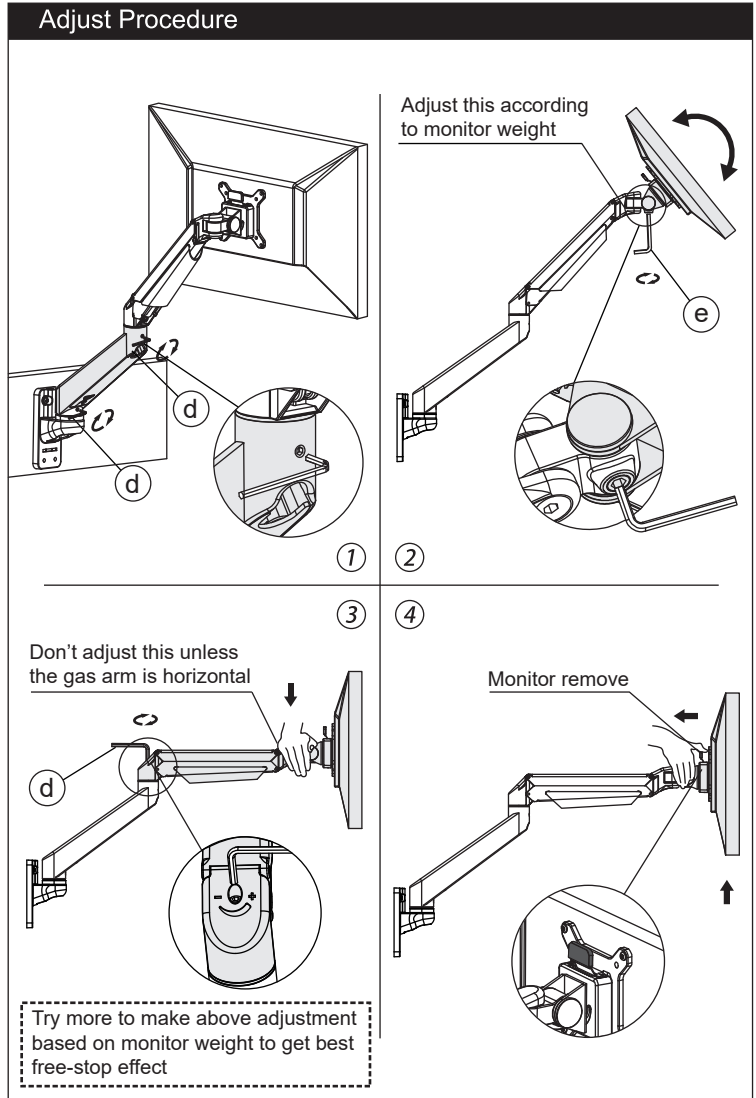
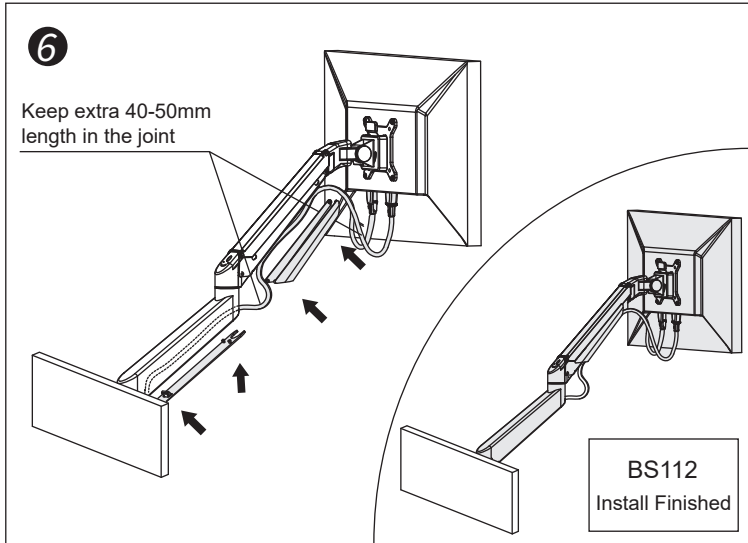
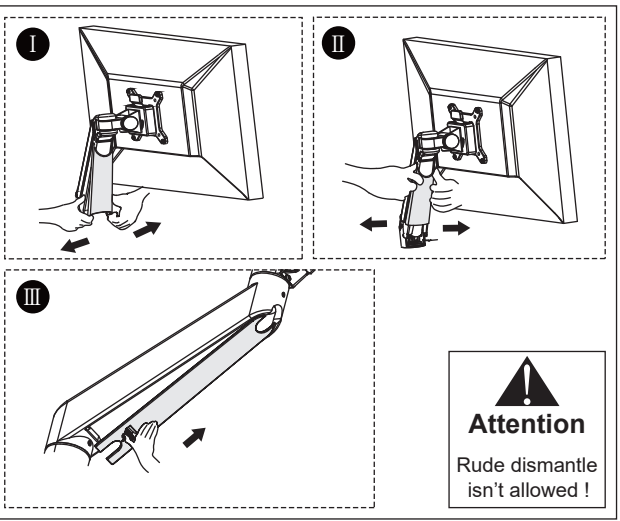
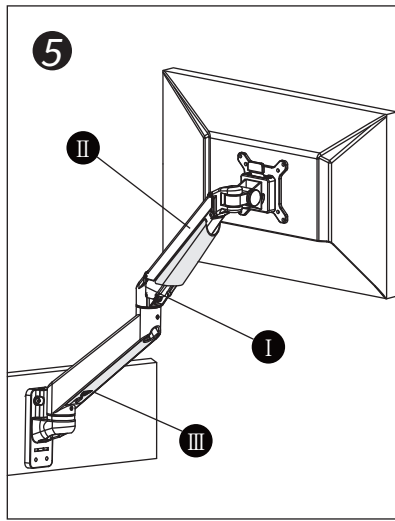
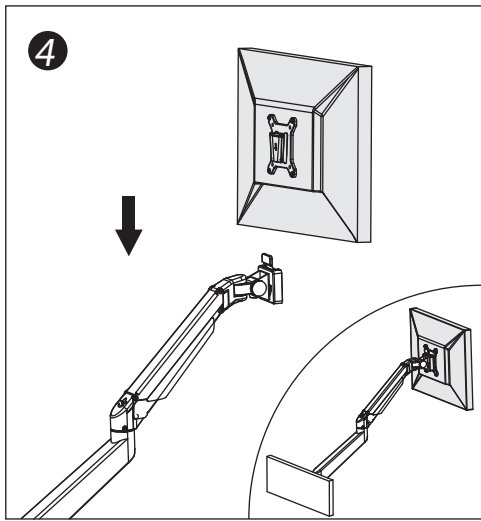


Installation of Wall-fixed Base



Install Procedure

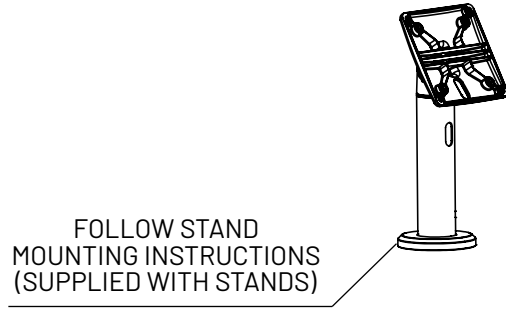




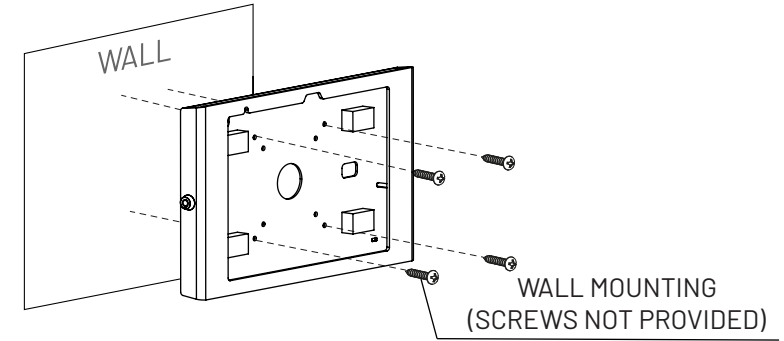
Module List			
No.	Sketch	Specs	Quantity
A			1
B			1
C			1
D			1

Part List			
No.	Sketch	Specs	Quantity
a		Ø10x40	4
b		M6x40	4
c		M4x12	4
d		M4	1
e		M6	1

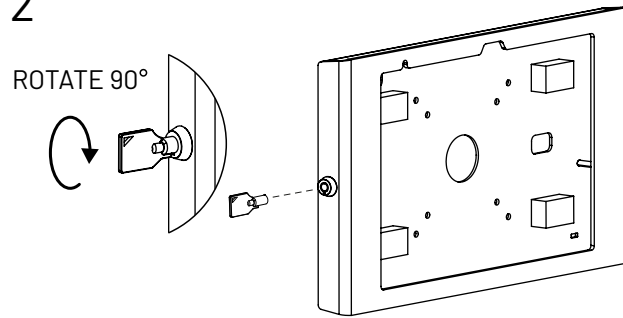
1



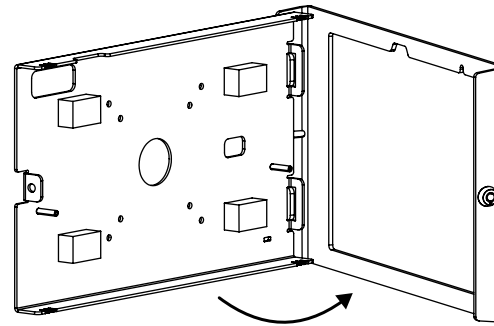
Or



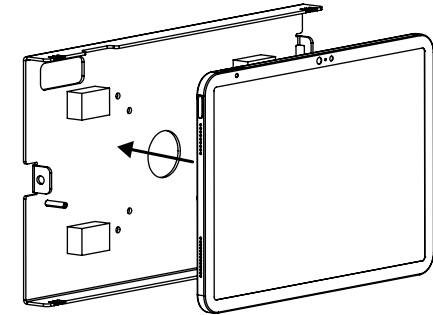
2



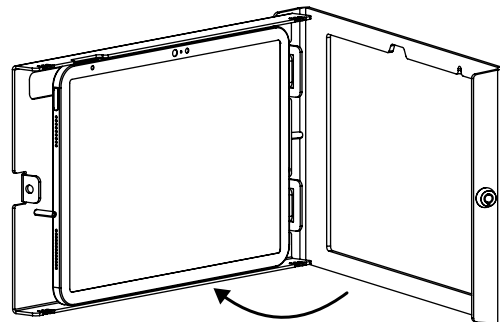
3



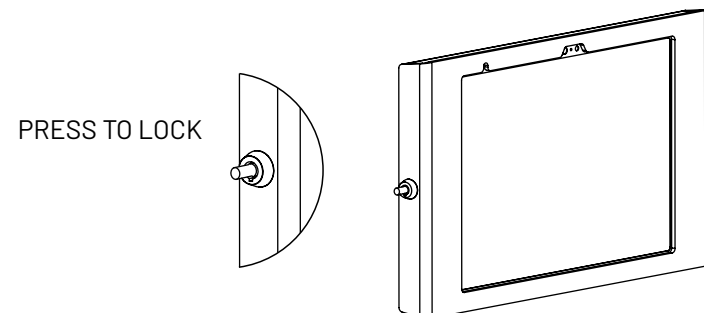
4



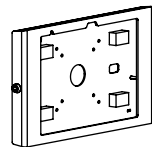
5



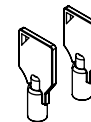
6



IN THE BOX



Apex Enclosure



Keys