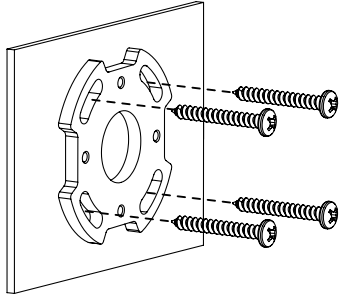


Through Stand Cable Assembly

1

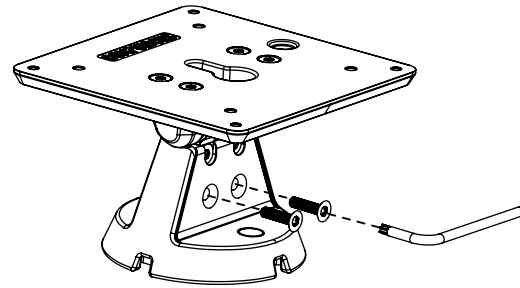
DRILL THE BOTTOM PLATE TO THE WALL \ COUNTER WITH 10 X 1½" PHILLIPS ROUND HEAD SCREWS (PROVIDED)



NOTE: IN A WOOD STUD INSTALLATION ENSURE AT LEAST TWO VERTICALLY ALIGNED SCREWS ARE SECURED INTO THE STUD.

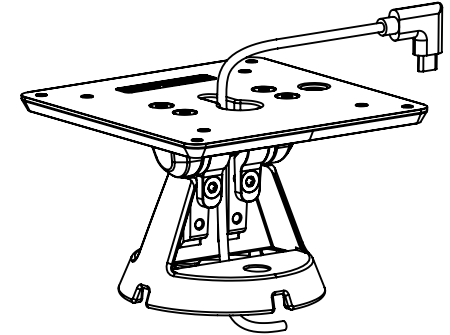
2

REMOVE FRONT COVER. USE T-20 TORX WRENCH (PROVIDED) TO REMOVE M4 X 10mm TORX FLAT HEAD SCREWS



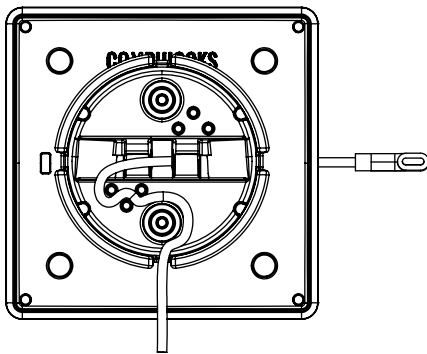
3

ROUTE CHARGING CABLE THROUGH STAND AS SHOWN



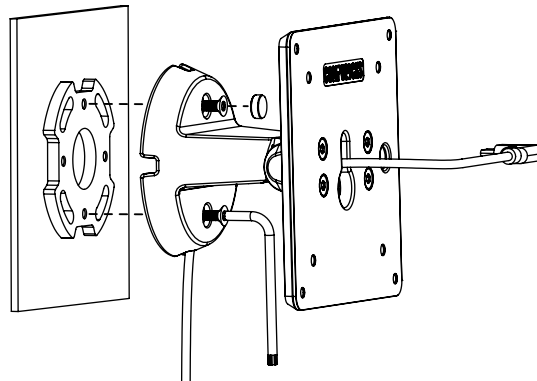
4

ROUTE CHARGING CABLE THROUGH STAND AS SHOWN



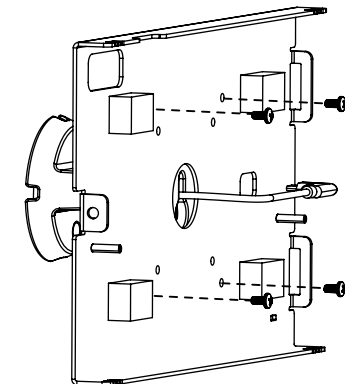
5

INSTALL THE STAND TO THE BOTTOM PLATE USING WRENCH PROVIDED

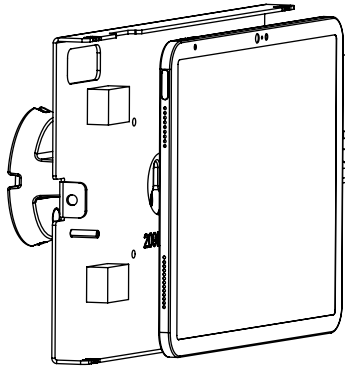


6

ROUTE CHARGING CABLE THROUGH ENCLOSURE OR VESA MOUNT. INSTALL TO STAND USING M4 X 8mm PHILLIPS PAN HEAD SCREWS (PROVIDED)

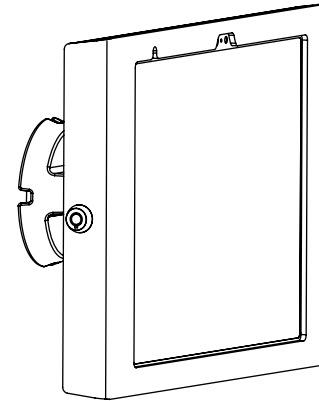


7



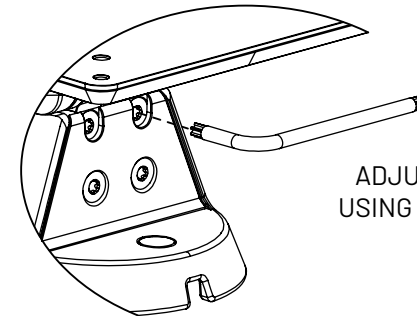
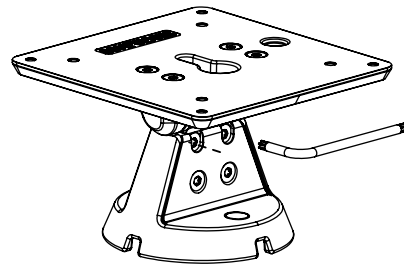
ATTACH CHARGING CABLE TO TABLET, LEAVE A SMALL LOOP OF CABLE BENEATH THE TABLET

8



INSTALL THE REST OF THE ENCLOSURE OR VESA MOUNT PER THEIR INSTRUCTIONS

Tilt Tension Adjustments

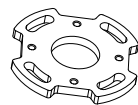


ADJUST HINGE TENSION USING WRENCH (PROVIDED)

IN THE BOX



Bow Stand



Bottom Plate



Rubber Plugs



10 X 1 1/2" Phillips Round Head Screw



M4 X 10mm Torx Flat Head Screw



M4 X 8mm Phillips Pan Head Screw



T20 TORX L-Wrench